

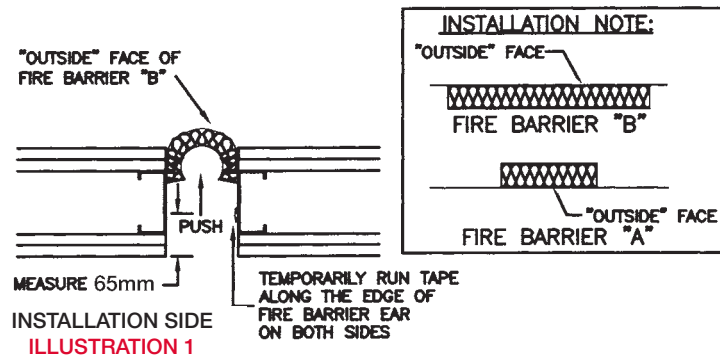
## INSTRUCTIONS FOR JOINT SIZES RANGING FROM A 37mm NOMINAL UP TO 450mm MAXIMUM OPENING – INSTALLED FROM ONE SIDE

**NOTE:** Fire Barriers should run continuously from bottom of floor slab to top of slab above. See Fire Barrier Transitions for additional information. If you do not have enough Fire Barrier to run continuously, stop and contact Latham Australia Pty Ltd

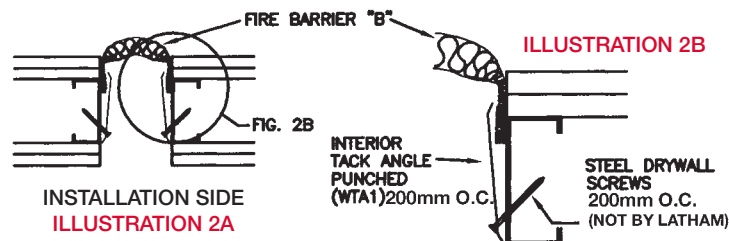
### SURFACE MOUNTED JOINT SYSTEMS

**STEP 1** Fold and position Fire Barrier “B” as shown in Illustration 1. Side marked “outside” should face away from you. Temporarily staple, nail or tape Fire Barrier “B” to each side of wall. The blue Systems label should face towards you when installing Fire Barrier “B”.

Position Fire barrier ear approximately 65mm measuring from the installation side. Temporarily tape the ear of Fire Barrier “B” by running tape along Fire Barrier ear to metal stud.



**STEP 2** Permanently fasten Fire Barrier “B” to each side of the joint with the interior tack angle (WTA1) as shown in Illustration 2. Position the interior tack angle close to the edge of the metal stud as shown in Illustrations 2A and 2B. Interior tack angles should run continuously with Fire Barrier “B”. Installation of Fire Barrier “B” is complete.



**STEP 3** Position Fire Barrier “A” as shown in Illustration 3. Side marked “outside” should face toward you. Temporarily staple, nail or tape Fire Barrier “A” to each side of joint.

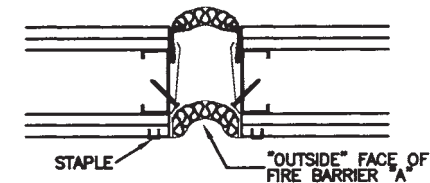


ILLUSTRATION 3

**STEP 4** Cut tack strips to required length. Permanently fasten Fire Barrier “A” as shown in Illustration 4. Tack strips should run continuously with Fire Barrier.

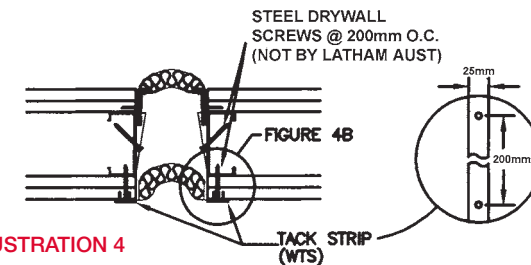


ILLUSTRATION 4

**STEP 5** Trim away excess Fire Barrier “ear” (see Illustration 5). If Fire Barrier” is to be used in coverless application, installation is complete. Latham Australia offers a wide variety of cover styles.

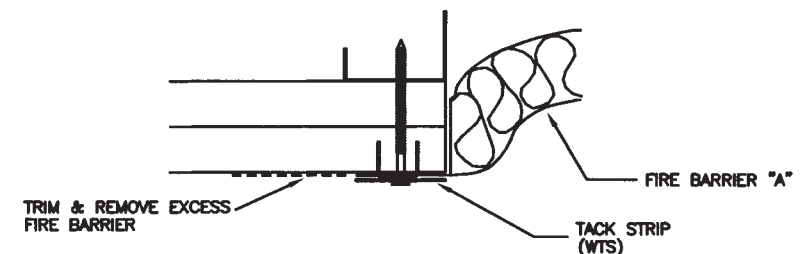


ILLUSTRATION 5

## INSTRUCTIONS FOR JOINT SIZES RANGING FROM A 37mm NOMINAL UP TO 450mm MAXIMUM OPENING – INSTALLED FROM ONE SIDE

**NOTE:** Fire Barriers should run continuously from bottom of floor slab to top of slab above. See Fire Barrier Transitions for additional information. If you do not have enough Fire Barrier to run continuously, stop and contact Latham Australia Pty Ltd

and Illustration 7 as a guide in installing the tack strips. Trim away excess Fire Barrier “ear” (see figure 5 for Surface Mounted Joint System).

Latham Australia offers a wide variety of cover styles.

### RECESSED JOINT SYSTEMS

**STEP 1** Trim outer layer of wallboard up to the ceiling line as shown in Illustration 6. Cut the wallboard to the appropriate blackout width dimension (see approved shop drawings). Install Fire Barrier “B” as in steps 1 and 2 for Surface Mounted System and figure shown below as a guide.

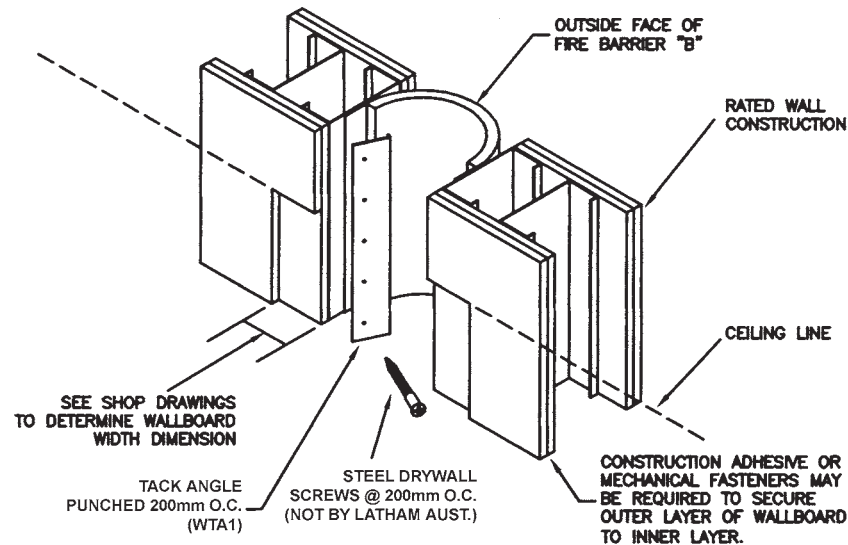


ILLUSTRATION 6

**STEP 2** Install the Wall Fire Barrier “A”. It should run continuously from bottom of floor slab to top of floor slab including floor to wall transitions. Side marked outside should face toward you as shown in Illustration 6. Temporarily staple Fire Barrier to each side of wall. Cut tack strips to required length. Fasten continuous tack strip to both sides. See figure 5 for Surface Mounted Joint System for exact placement of tack strips

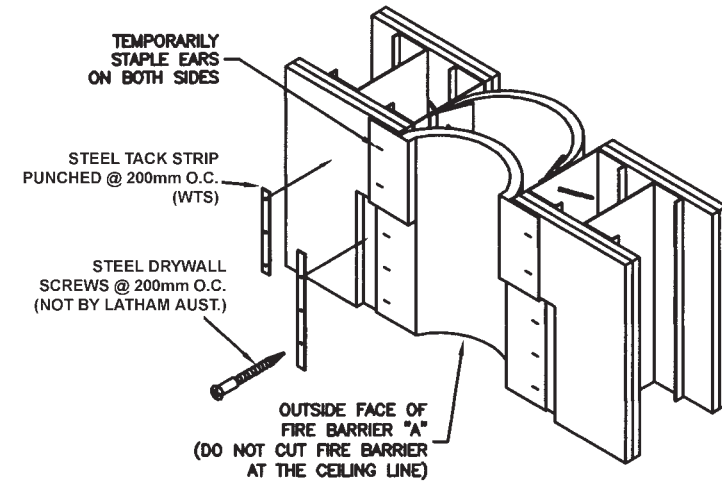


ILLUSTRATION 7

## TYPICAL COVERED INSTALLATIONS

(for detailed installation instructions of covers see approved shop drawings and detail templates)

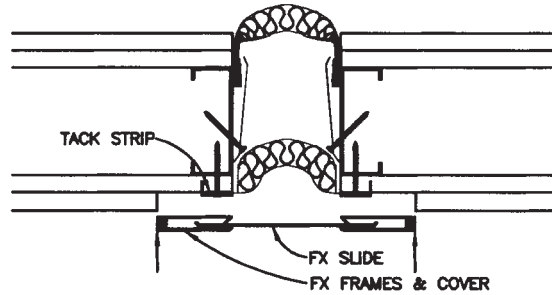


ILLUSTRATION 8

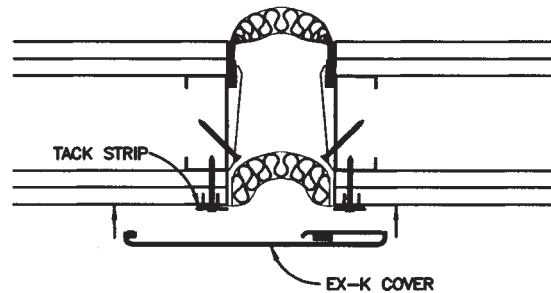


ILLUSTRATION 9

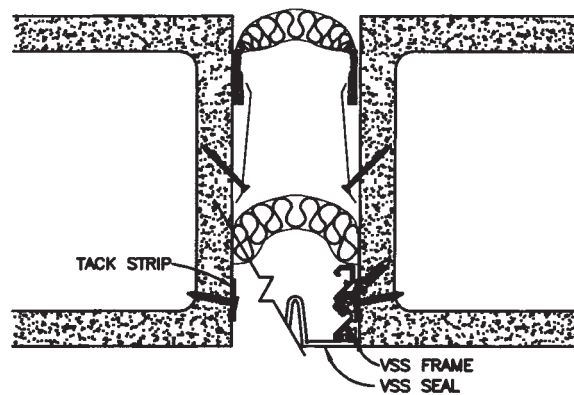


ILLUSTRATION 10