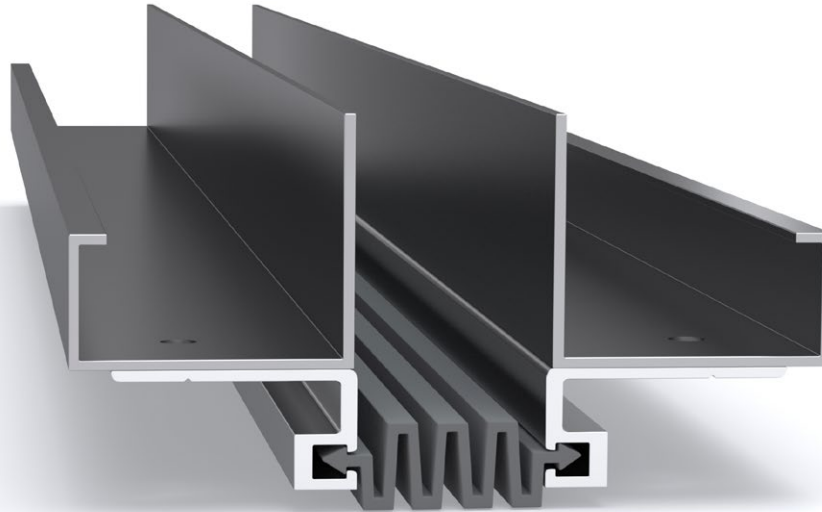
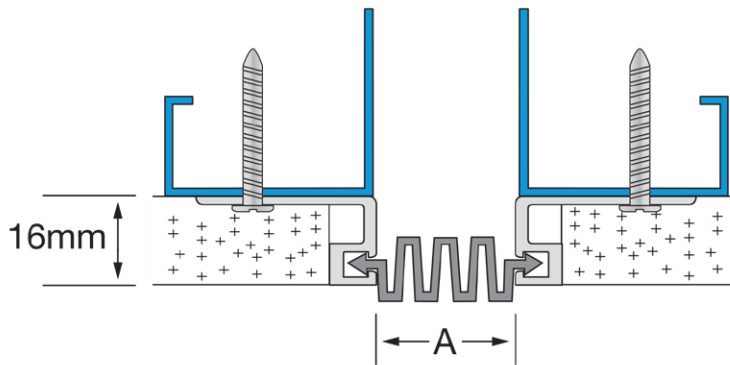


Latham Wall-Line Series Aluminium Expansion Joint Cover
AW



Illustrated: AW-25



Aluminium Code	A	Movement	Total Available Movement
AW-25	25	+/-12mm	25mm

FEATURES

- Aluminium wall and ceiling expansion joint cover.
- Designed to be installed with up to 16mm plasterboard.

MATERIALS

- Aluminium 6063-T5 mill finish alloy.
- Grey neoprene inserts (standard), or black available on request.
- Supplied in 3050mm lengths.

FURTHER TECHNICAL SPECIFICATIONS

- [Website Link - PDF and DWG Details](#)
- [Product Information](#)
- [Joint Specifications](#)
- [Fire Rated Systems](#)
- [Full Product Catalogue](#)
- [Architectural Specifications](#)
- [Warranty](#)



multi directional
6-way movement



indoor use