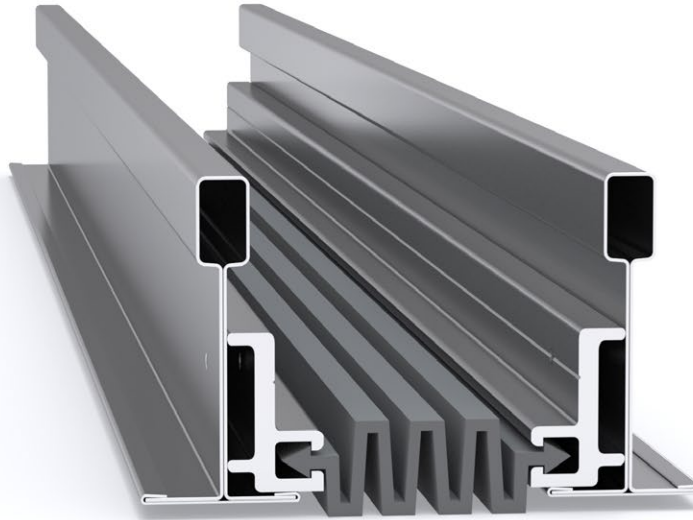
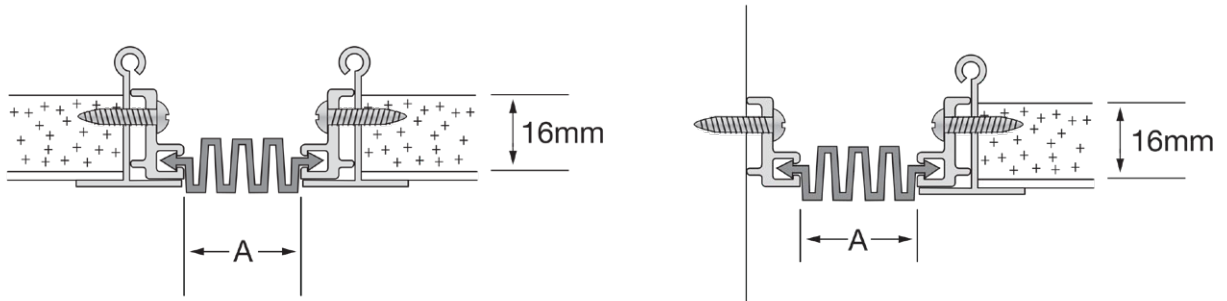


Latham Wall-Line Series Aluminium Expansion Joint Cover  
**AC**



Illustrated: AC-25



Aluminium Code	A	Movement	Total Available Movement
AC-25	25	+/-12mm	25mm



**FEATURES**

- Aluminium ceiling expansion joint cover for fixing to ceiling 'T's of the suspended ceiling.

**MATERIALS**

- Aluminium 6063-T5 mill finish alloy.
- Grey neoprene inserts (standard), or black available on request.
- Supplied in 3050mm lengths.

**FURTHER TECHNICAL SPECIFICATIONS**

- [Website Link - PDF and DWG Details](#)
- [Product Information](#)
- [Joint Specifications](#)
- [Fire Rated Systems](#)
- [Full Product Catalogue](#)
- [Architectural Specifications](#)
- [Warranty](#)



multi directional  
6-way movement



indoor use