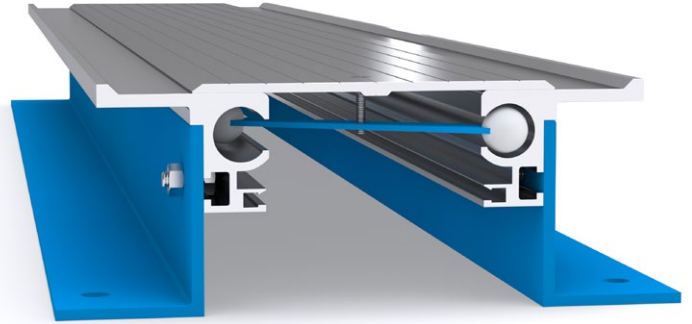
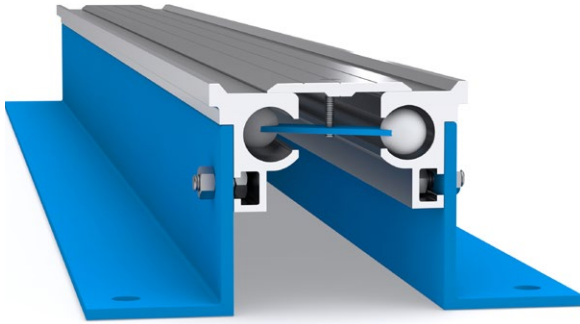
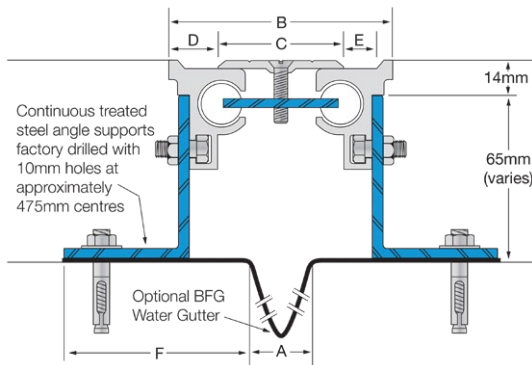


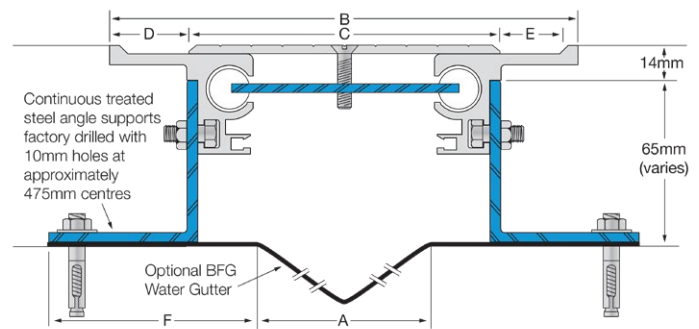
# Latham Ultimate Series Aluminium Expansion Joint Cover SAA (SSSM ▲)



SAA-25 (SSSM ▲) to SAA-50 (SSSM ▲)



SAA-44 (SSSM ▲) to SAA-150 (SSSM ▲)



Aluminium Code ribbed deck	A	B	C	D	E	F	Movement	Total Available Movement	Overall Depth	Cover Plate Thickness
SAA-25 (SSSM ▲)	25	87	50	18	13	•	+20/-15mm	35mm	Specify	3mm
SAA-50 (SSSM ▲)	50	113	75	18	13	•	+20/-25mm	45mm	Specify	3mm
SAA-44 (SSSM ▲)	44	163	100	32	26	•	+50/-35mm	85mm	Specify	3mm
SAA-75 (SSSM ▲)	70	189	125	32	26	•	+50/-50mm	100mm	Specify	3mm
SAA-100 (SSSM ▲)	95	214	150	32	26	•	+50/-50mm	100mm	Specify	3mm
SAA-150 (SSSM ▲)	145	264	200	32	26	•	+50/-50mm	100mm	Specify	5mm

▲ Specify required depth: 45mm, 55mm, 70mm, 80mm, 95mm, 105mm, 130mm & 155mm  
• "F" distance subject to required depth



## FEATURES

- Aluminium floor expansion joint cover.
- Robust system suited to pedestrian applications.
- Aluminium side member is installed on a continuous treated steel support, to allow for a variable floor depth below the finished floor (▲ - specify depth)
- Generally installed with paver/deep bed applications.

## MATERIALS

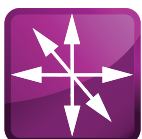
- Aluminium 6063-T5 mill finish alloy.
- Treated steel angle supports.
- Supplied in 3050mm lengths.
- Spring steel treated centering bar with nylon spherical balls (at ~475mm centres).

## FIXINGS

- Continuous treated steel support angles pre-drilled at ~475mm centres for 10mm fasteners.

## FURTHER TECHNICAL SPECIFICATIONS

- [Website Link - PDF and DWG Details](#)
- [Product Information](#)
- [Joint Specifications](#)
- [Fire Rated Systems](#)
- [Full Product Catalogue](#)
- [Architectural Specifications](#)
- [Warranty](#)



multi directional  
6-way movement



indoor & out-  
door use



BFG water  
gutter



fire rated (joint  
widths >50mm)



factory  
curvable