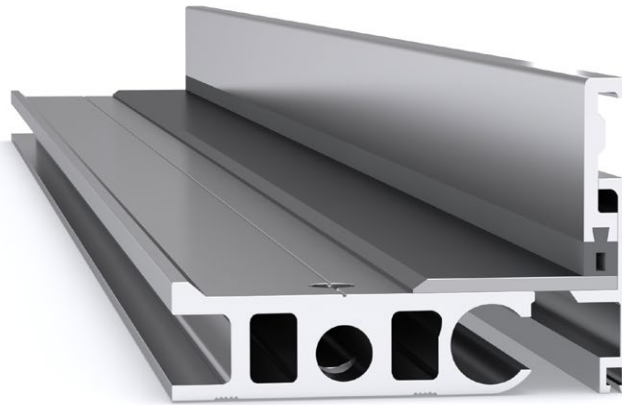
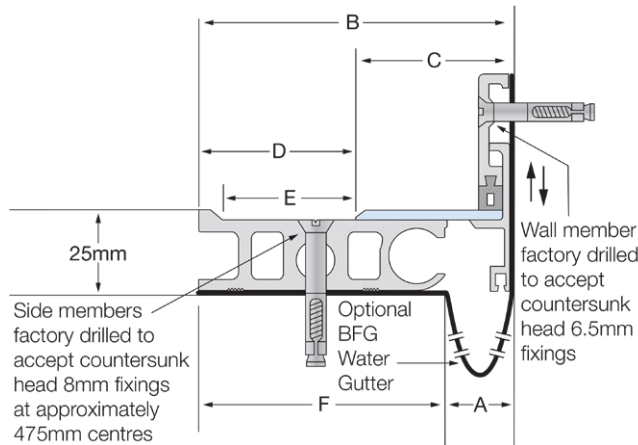


Latham Ultimate Series Aluminium Expansion Joint Cover with Stainless Steel Cover Plate NSSL



Illustrated: NSSL-20



Stainless Steel Code smooth deck	A	B	C	D	E	F	Movement	Total Available Movement	Overall Depth	Cover Plate Thickness
NSSL-20	20	97	55	46	40	77	+25/-8mm	33mm	25mm	3mm
NSSL-30	30	107	65	41	35	77	+30/-18mm	48mm	25mm	3mm
NSSL-55	55	132	90	41	35	77	+30/-40mm	70mm	25mm	4mm
NSSL-80	80	157	115	41	35	77	+30/-40mm	70mm	25mm	4mm
NSSL-105	105	182	140	41	35	77	+30/-40mm	70mm	25mm	5mm

FEATURES

- Aluminium floor-to-wall expansion joint cover with a stainless steel cover plate.
- Robust system suited to pedestrian applications.
- 25mm depth below floor finish.
- 42mm vertical depth up the wall, above floor finish.
- Installed as a retrofit application.

MATERIALS

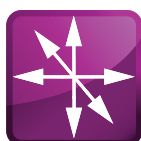
- Aluminium 6063-T5 mill finish alloy.
- 304 Grade, 2B finish stainless steel cover plates.
- Supplied in 3050mm lengths.

FIXINGS

- Side member pre-drilled at ~475mm centres to accept countersunk head 8mm fixings.
- Wall member pre-drilled at ~475mm centres to accept countersunk head 6.5mm fixings.

FURTHER TECHNICAL SPECIFICATIONS

- [Website Link - PDF and DWG Details](#)
- [Product Information](#)
- [Joint Specifications](#)
- [Fire Rated Systems](#)
- [Full Product Catalogue](#)
- [Architectural Specifications](#)
- [Warranty](#)



multi directional
6-way movement



indoor & out-
door use



BFG water
gutter



fire rated (joint
widths >50mm)