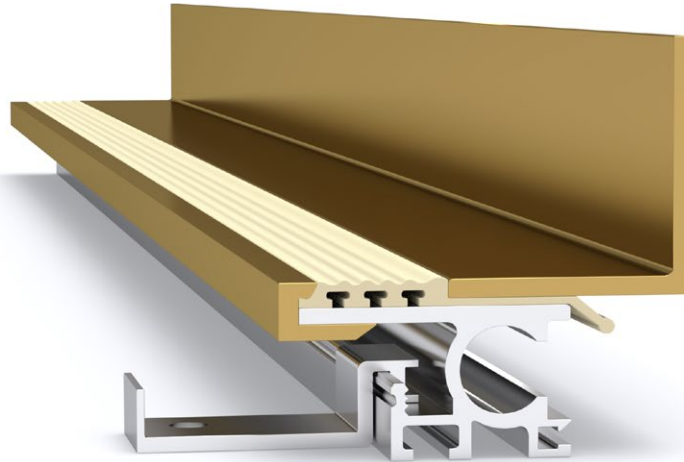
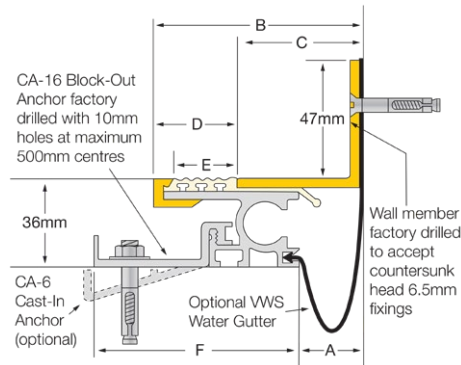


Latham Flat-Line Series Aluminium Expansion Joint Cover with Brass Cover Plate ABL



Illustrated: ABL-25



Solid Brass Code	A	B	C	D	E	F	Movement	Total Available Movement	Overall Depth
ABL-25	25	64	46	33	25	82	+/-3mm	6mm	36mm
ABL-50	50	166	100	33	25	82	+/-3mm	6mm	36mm
ABL-75	75	191	125	33	25	82	+/-3mm	6mm	36mm
ABL-100	100	216	150	33	25	82	+/-3mm	6mm	36mm
ABL-150	150	266	200	33	25	82	+/-3mm	6mm	36mm

FEATURES

- Aluminium floor-to-wall expansion joint cover with a brass cover plate and end caps.
- Robust system suited to pedestrian applications where even the slightest bump in a floor can not be tolerated.
- 36mm depth below floor finish.
- Installed in a preformed recess or cast-in.

MATERIALS

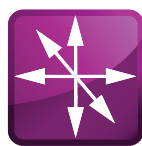
- Aluminium 6063-T5 mill finish alloy.
- Brass 380 mill finish alloy cover plates.
- Extruded vinyl inserts.
- Supplied in 3050mm lengths (brass covers supplied in 1800mm lengths).

FIXINGS

- Supplied with clip-on CA-16 Block-Out Anchors (10mm holes pre-drilled) installed at ~500mm centres.
- On request: CA-6 Cast-In Anchors can be supplied for cast-in installations.

FURTHER TECHNICAL SPECIFICATIONS

- [Website Link - PDF and DWG Details](#)
- [Product Information](#)
- [Joint Specifications](#)
- [Fire Rated Systems](#)
- [Full Product Catalogue](#)
- [Architectural Specifications](#)
- [Warranty](#)



multi directional
6-way movement



indoor use



VWS water
gutter