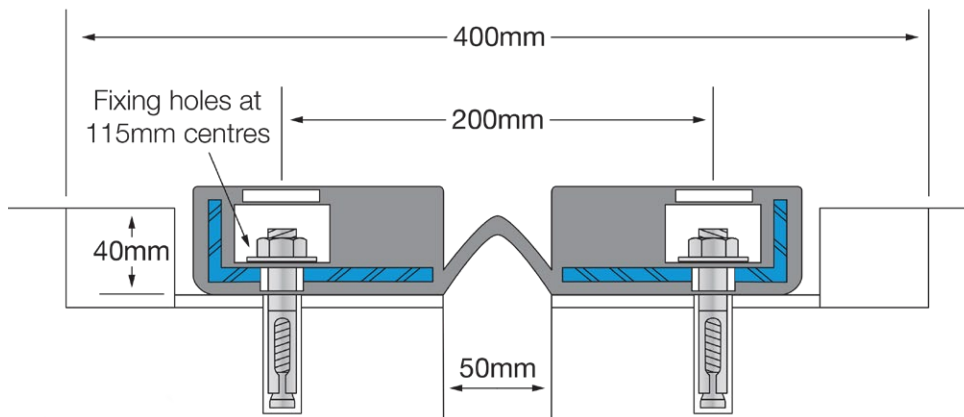


**Latham Bridge Joint Series Aluminium Expansion Joint Cover**  
**BEJ**



Illustrated: BEJ-50



**FEATURES**

- Steel enclosed rubber floor expansion joint cover.
- Designed to control movement in roadway type applications.
- The joint is strengthened by the fully encapsulated, and therefore rust resistant steel support plates to accommodate high speed vehicular traffic.
- The system is water tight and the smooth surface wear resistant to reduce the likelihood of skidding.
- Requires a 400x43mm recess, packed to required level.

**MATERIALS**

- Moulded natural rubber.
- 6mm steel reinforcing plates.
- Supplied in 1220mm lengths.

**FIXINGS**

- Fixings are spaced at 115mm centres. Anchor bolts need to be 12.5mm diameter and should either be cast-in place, epoxy grouted or stud welded as required.

**FURTHER TECHNICAL SPECIFICATIONS**

- [Website Link - PDF and DWG Details](#)
- [Product Information](#)
- [Joint Specifications](#)
- [Fire Rated Systems](#)
- [Full Product Catalogue](#)
- [Architectural Specifications](#)
- [Warranty](#)



multi directional  
6-way movement



indoor & out-  
door use



vehicular