

B30 Series Resilient Light Duty

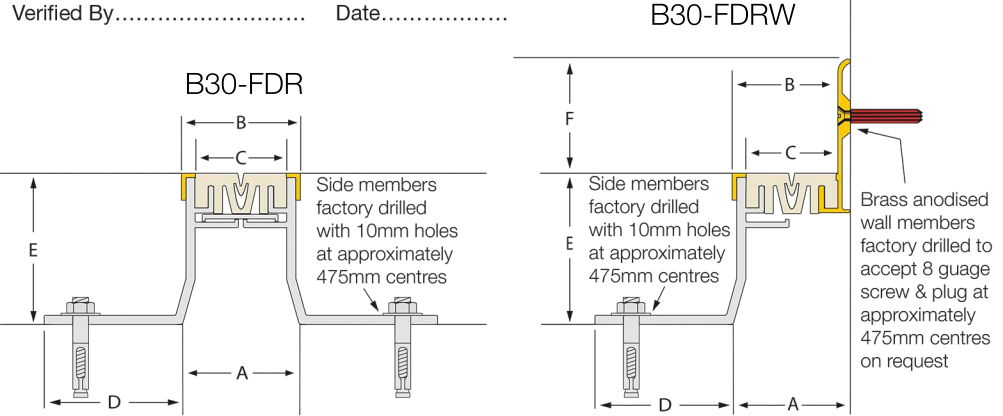
Flexible Expansion Joint Cover

LATHAM AUSTRALIA PTY LTD
 14 TENNYSON ROAD GLADESVILLE 2111 AUSTRALIA
 Phone: 61 2 9879 7888 Fax: 61 2 9879 7666
 Web: www.latham-australia.com



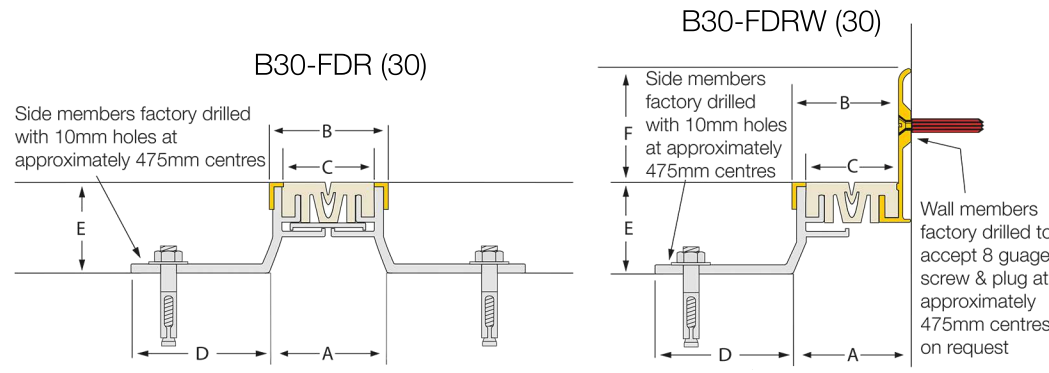
Scale: Approx. 40% Full Size
 All dimensions are to be verified before construction

Verified By..... Date.....



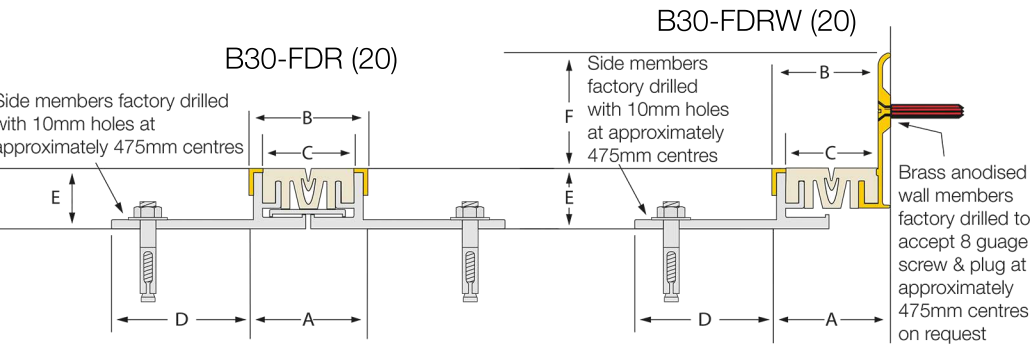
Aluminium Code	A	B	C	D	E	F	Movement	Total Available Movement	Overall Depth
B30-FDR	38	38	30	50	50		+/-3mm	6mm	50mm
B30-FDRW	38	34	30	50	50	38	+/-3mm	6mm	88mm

All dimensions are in millimetres.



Aluminium Code	A	B	C	D	E	F	Movement	Total Available Movement	Overall Depth
B30-FDR (30)	38	38	30	50	30		+/-3mm	6mm	30mm
B30-FDRW (30)	38	34	30	50	30	38	+/-3mm	6mm	68mm

All dimensions are in millimetres.



Aluminium Code	A	B	C	D	E	F	Movement	Total Available Movement	Overall Depth
B30-FDR (20)	38	38	30	50	20		+/-3mm	6mm	20mm
B30-FDRW (20)	38	34	30	50	20	38	+/-3mm	6mm	58mm

All dimensions are in millimetres.

Interior applications only.
 All mechanical expansion joint fixings by others.
 Design subject to change without notice