

# GXAL Surface-Line Series - Tapered Edge

Flexible Expansion Joint Cover

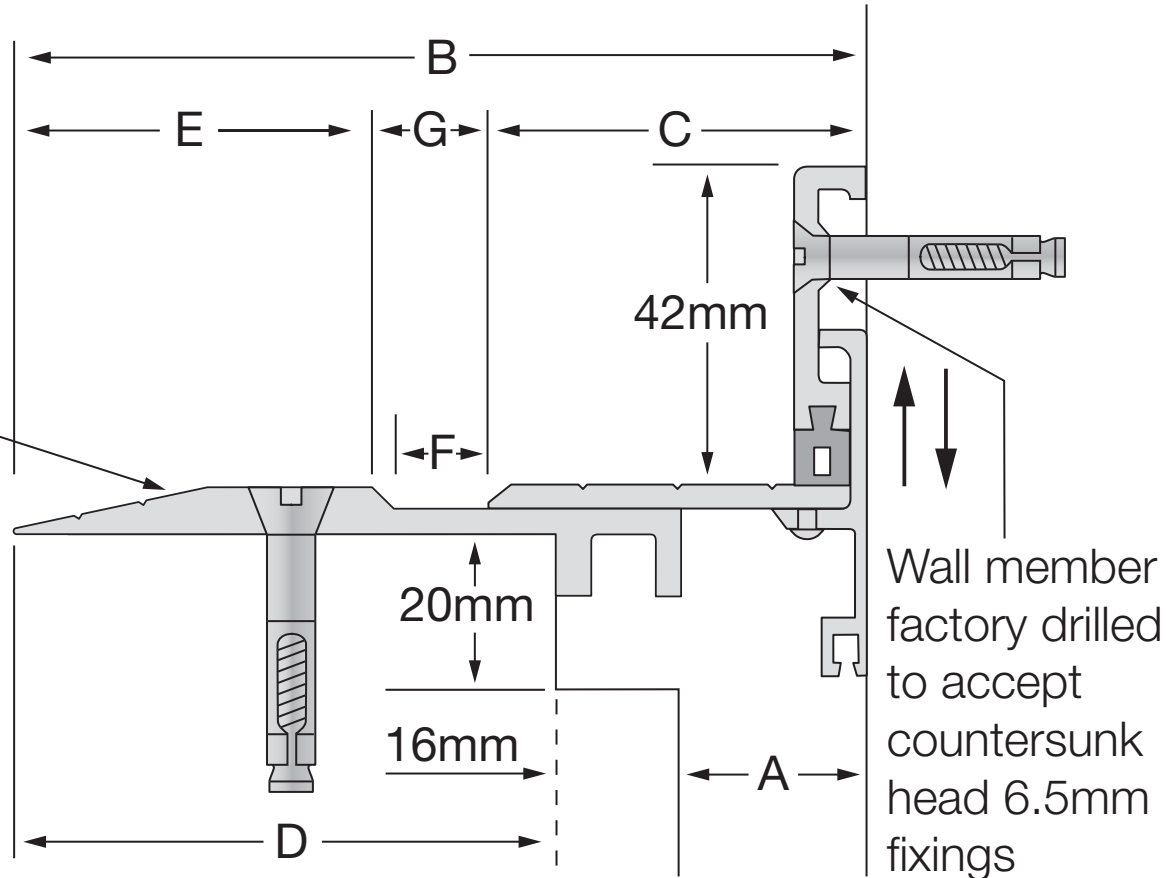
**LATHAM AUSTRALIA PTY LTD**  
 14 TENNYSON ROAD GLADESVILLE 2111 AUSTRALIA  
 Phone: 61 2 9879 7888 Fax: 61 2 9879 7666  
 Web: www.latham-australia.com



Illustrated: GXAL-25 Scale: Approx. Full Size  
 All dimensions are to be verified before construction

Verified By..... Date.....

Side member  
 factory drilled to  
 accept countersunk  
 head 6.5mm fixings  
 at approximately  
 475mm centres



Aluminium Code ribbed deck	A	B	C	D	E	F	G	Movement	Total Available Movement	Overall Depth	Cover Plate Thickness
GXAL-25	25	113	50	70	45	15	18	+20/-15mm	35mm	Surface Mounted	3mm
GXAL-50	50	136	75	70	45	15	18	+20/-15mm	35mm	Surface Mounted	3mm
GXAL-75	75	163	100	70	45	15	18	+20/-15mm	35mm	Surface Mounted	4mm
GXAL-100	100	188	125	70	45	15	18	+20/-15mm	35mm	Surface Mounted	5mm
GXAL-125	125	213	150	70	45	15	18	+20/-15mm	35mm	Surface Mounted	5mm

Wider joint widths available on request. All dimensions are in millimetres.

Exterior/Interior use.  
 All mechanical expansion joint fixings by others.  
 Design subject to change without notice.