

FXAL Surface-Line Series - Standard

Flexible Expansion Joint Cover

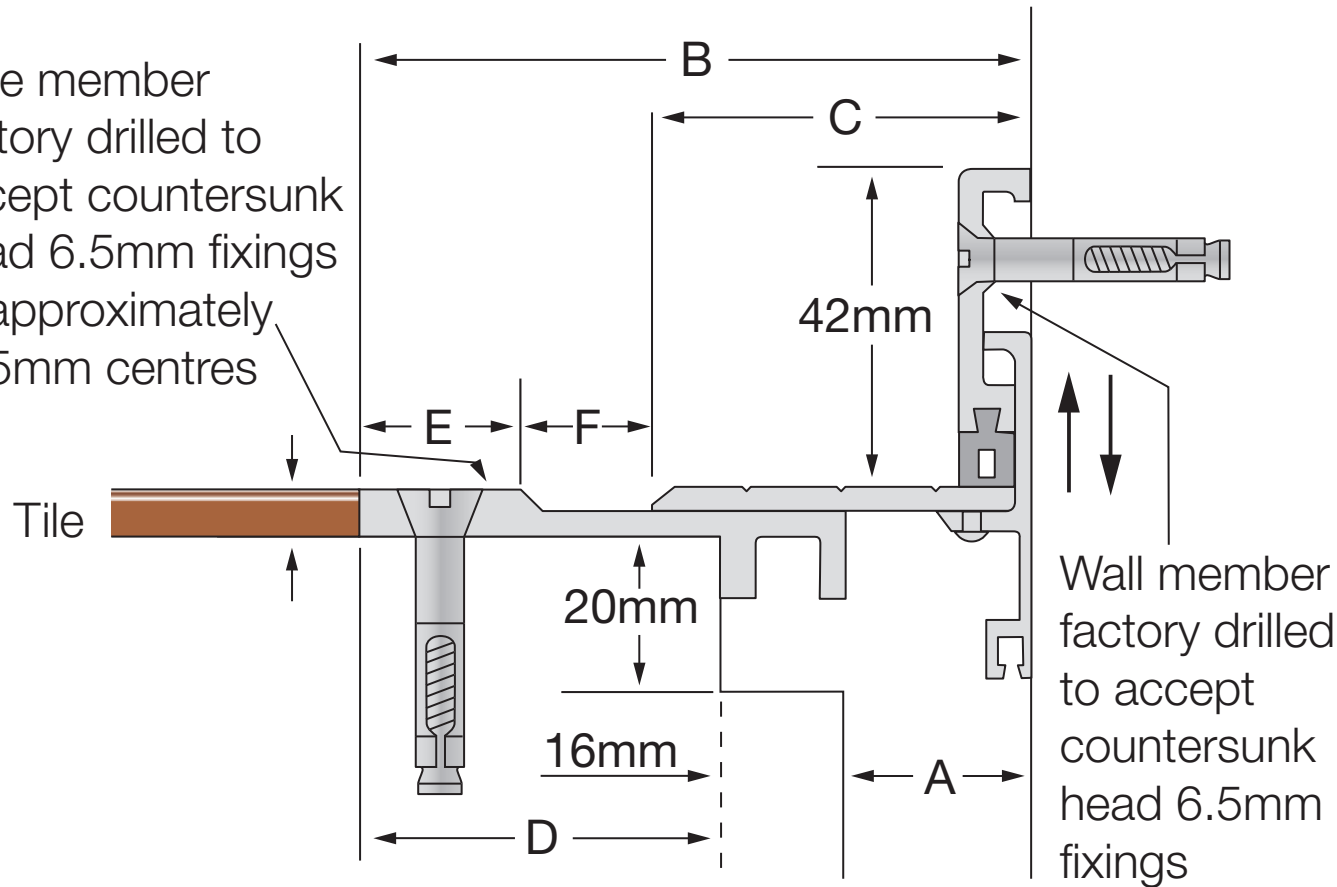
LATHAM AUSTRALIA PTY LTD
 14 TENNYSON ROAD GLADESVILLE 2111 AUSTRALIA
 Phone: 61 2 9879 7888 Fax: 61 2 9879 7666
 Web: www.latham-australia.com



Illustrated: FXAL-25 Scale: Approx. Full Size
 All dimensions are to be verified before construction

Verified By..... Date.....

Side member
 factory drilled to
 accept countersunk
 head 6.5mm fixings
 at approximately
 475mm centres



Aluminium Code ribbed deck	A	B	C	D	E	F	Movement	Total Available Movement	Overall Depth	Cover Plate Thickness
FXAL-25	25	87	50	49	20	18	+20/-15mm	35mm	Surface Mounted	3mm
FXAL-50	50	112	75	49	20	18	+20/-15mm	35mm	Surface Mounted	3mm
FXAL-75	75	137	100	49	20	18	+20/-15mm	35mm	Surface Mounted	4mm
FXAL-100	100	162	125	49	20	18	+20/-15mm	35mm	Surface Mounted	5mm
FXAL-125	125	187	150	49	20	18	+20/-15mm	35mm	Surface Mounted	5mm

All dimensions are in millimetres.

Exterior/Interior use.
 All mechanical expansion joint fixings by others.
 Design subject to change without notice.

COPYRIGHT © 2019