

# EXAL Surface-Line Series - Standard

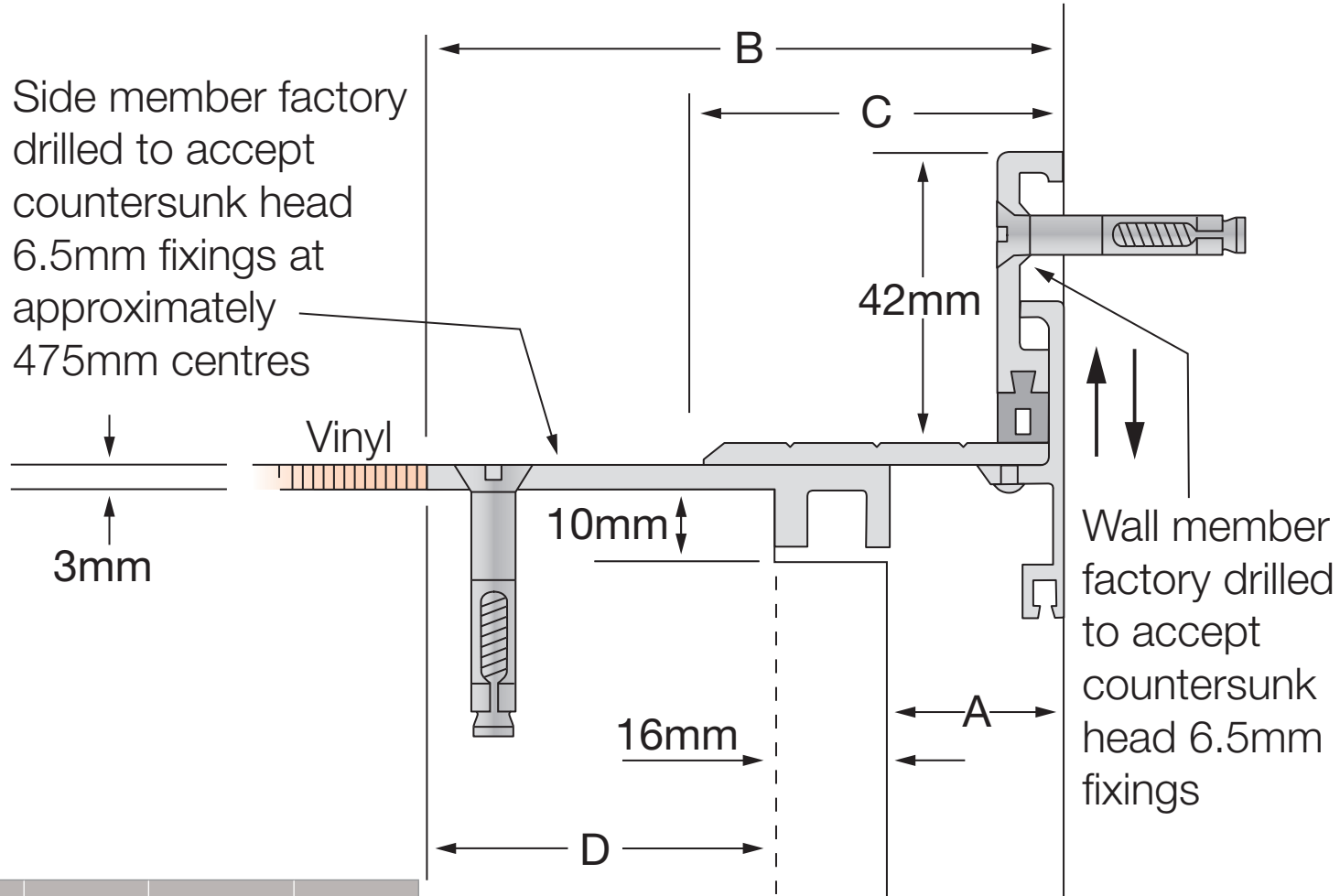
Flexible Expansion Joint Cover

**LATHAM AUSTRALIA PTY LTD**  
 14 TENNYSON ROAD GLADESVILLE 2111 AUSTRALIA  
 Phone: 61 2 9879 7888 Fax: 61 2 9879 7666  
 Web: www.latham-australia.com



Illustrated: EXAL-25 Scale: Approx. Full Size  
 All dimensions are to be verified before construction

Verified By..... Date.....



Aluminium Code ribbed deck	A	B	C	D	Movement	Total Available Movement	Overall Depth	Cover Plate Thickness
EXAL-25	25	90	50	49	+/-20mm	40mm	Surface Mounted	3mm
EXAL-50	50	115	75	49	+/-20mm	40mm	Surface Mounted	3mm
EXAL-75	75	140	100	49	+/-20mm	40mm	Surface Mounted	4mm
EXAL-100	100	165	125	49	+/-20mm	40mm	Surface Mounted	5mm
EXAL-125	125	190	150	49	+/-20mm	40mm	Surface Mounted	5mm

Larger movement capabilities and wider joint widths available on request. All dimensions are in millimetres.

Exterior/Interior use.  
 All mechanical expansion joint fixings by others.  
 Design subject to change without notice.