

# USETM-50FW Series Parking Seal

## Flexible Mechanical Expansion Joint Cover

**LATHAM AUSTRALIA PTY LTD**  
 14 TENNYSON ROAD GLADESVILLE 2111 AUSTRALIA  
 Phone: 61 2 9879 7888 Fax: 61 2 9879 7666  
 Web: www.latham-australia.com

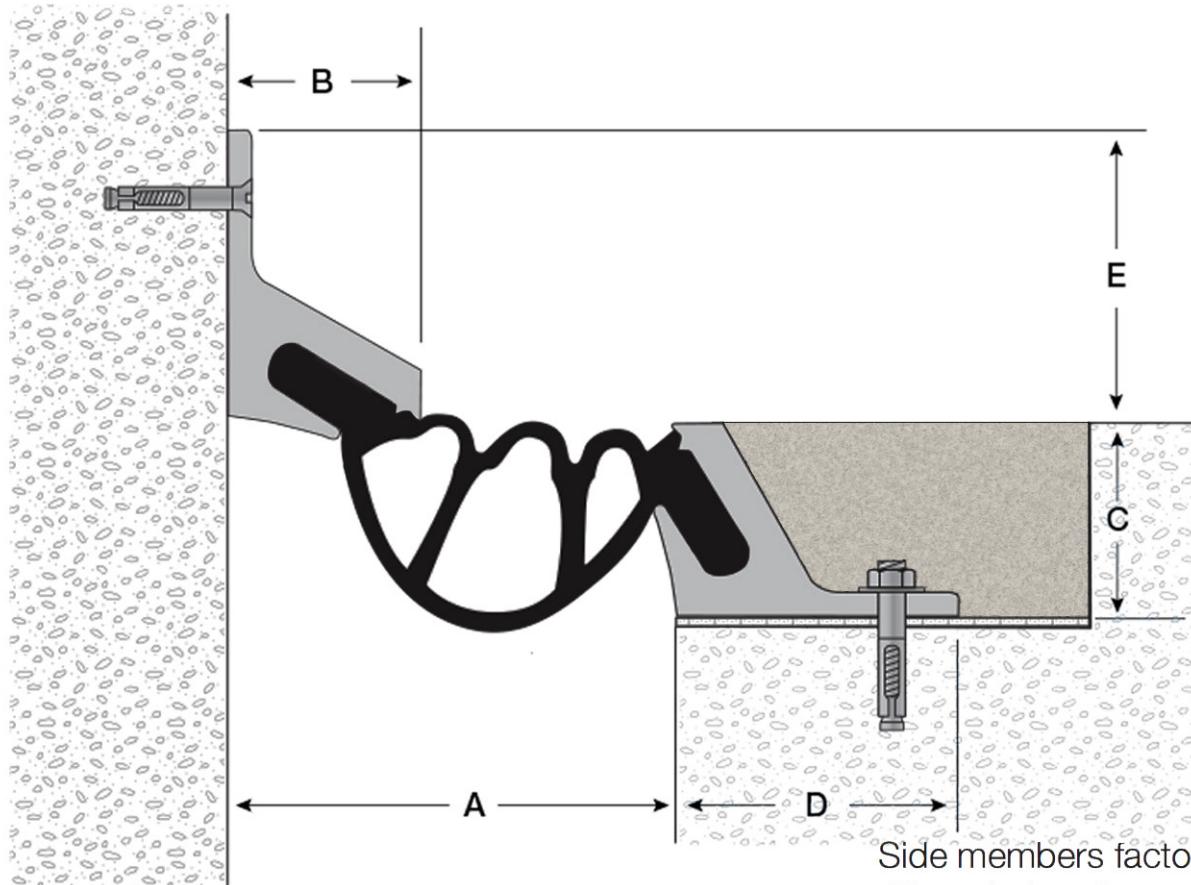


Illustrated: USETM-50FW

Not to scale.

All dimensions are to be verified before construction

Verified By..... Date.....



Side members factory drilled with 16mm holes at approximately 500mm centres

Aluminium Code	A	B	C	D	E	Movement	Total Available Movement	Overall Depth
USETM-50FW	75	38	38	50	70	+/-20mm	40mm	108mm

All dimensions are in millimetres.

All mechanical expansion joint fixings by others.

The Latham Elastomeric Parking Seal provides an attractive expansion joint solution for parking stations and roof top structures. The neoprene seal creates a virtually water proof seal when correctly installed. The flush finish and elimination of the cover plate ensure quiet transition of vehicles.

Design subject to change without notice

COPYRIGHT © 2022