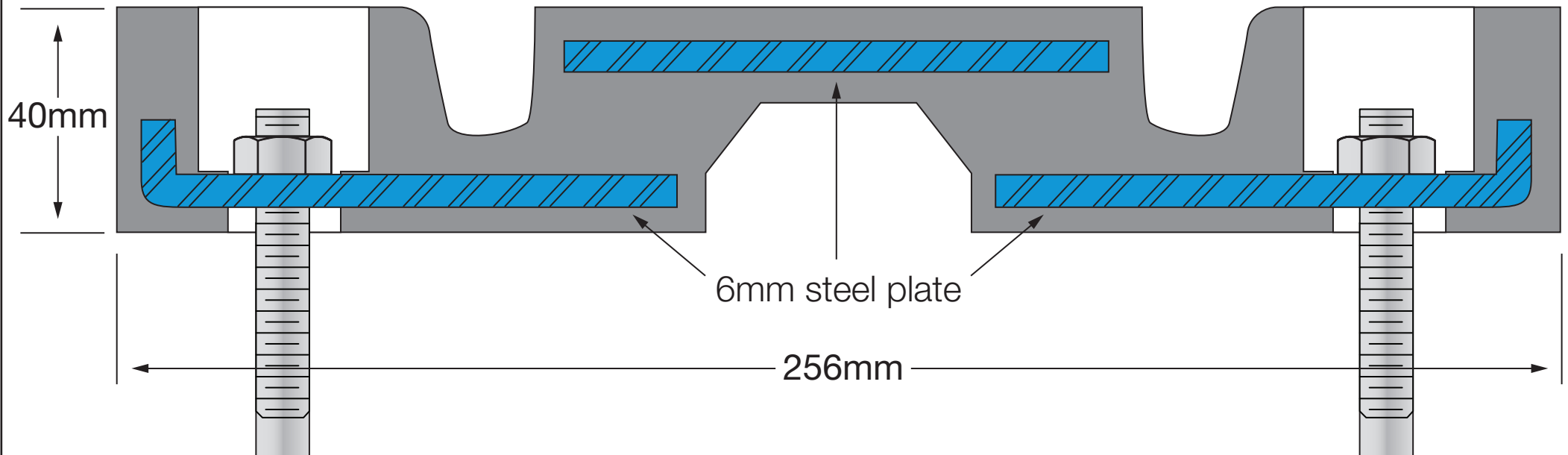


# SER Series Heavy Duty Joint System

**LATHAM AUSTRALIA PTY LTD**  
14 TENNYSON ROAD GLADESVILLE 2111 AUSTRALIA  
Phone: 61 2 9879 7888 Fax: 61 2 9879 7666  
Web: www.latham-australia.com



ILLUSTRATED: SER-50 Series Heavy Duty Enclosed Rubber  
SCALE: Approx. full size  
All dimensions are to be verified before construction  
Verified By..... Date.....



All mechanical expansion joint fixings by others.  
Design subject to change without notice