

# NBDSL Flat-Line Series - No Bump

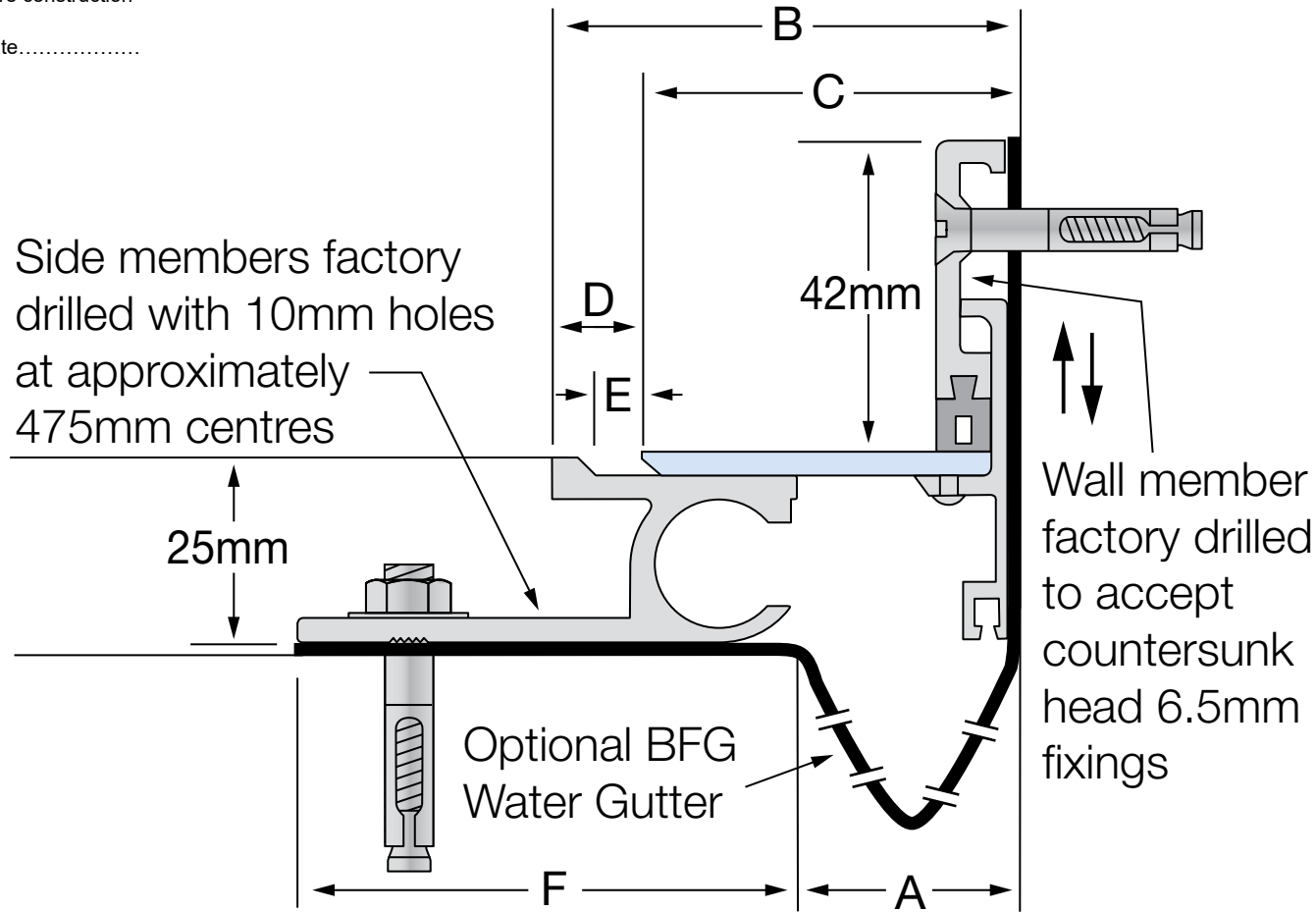
## Flexible Expansion Joint Cover

**LATHAM AUSTRALIA PTY LTD**  
 14 TENNYSON ROAD GLADESVILLE 2111 AUSTRALIA  
 Phone: 61 2 9879 7888 Fax: 61 2 9879 7666  
 Web: www.latham-australia.com



Illustrated: NBDSL-30 Scale: Approx. Full Size  
 All dimensions are to be verified before construction

Verified By..... Date.....



Stainless Steel Code smooth deck	A	B	C	D	E	F	Movement	Total Available Movement	Overall Depth	Cover Plate Thickness
NBDSL-30	30	60	51	9	3	68	+22/-3mm	25mm	25mm	3mm
NBDSL-53	53	86	77	9	3	68	+22/-3mm	25mm	25mm	3mm
NBDSL-80	80	109	100	9	3	68	+22/-3mm	25mm	25mm	3mm
NBDSL-105	105	134	125	9	3	68	+22/-3mm	25mm	25mm	3mm
NBDSL-155	155	184	175	9	3	68	+22/-3mm	25mm	25mm	3mm

Wider joint widths available on request. All dimensions are in millimetres.

Exterior/Interior use.

The Latham No-Bump Series of joints have been specially designed by Latham Australia Pty. Ltd. for use in Hospitals and other applications where no change in floor surface level can be tolerated. The inverted Stainless Steel Cover Plate alleviates any bump. NBDS joints are available in all standard joint widths, as CS and DCS joints, please refer to Latham Technical Manual 43.

All mechanical expansion joint fixings by others.

Aluminium embedded members with stainless steel cover plate.

Design subject to change without notice.

COPYRIGHT © 2024