

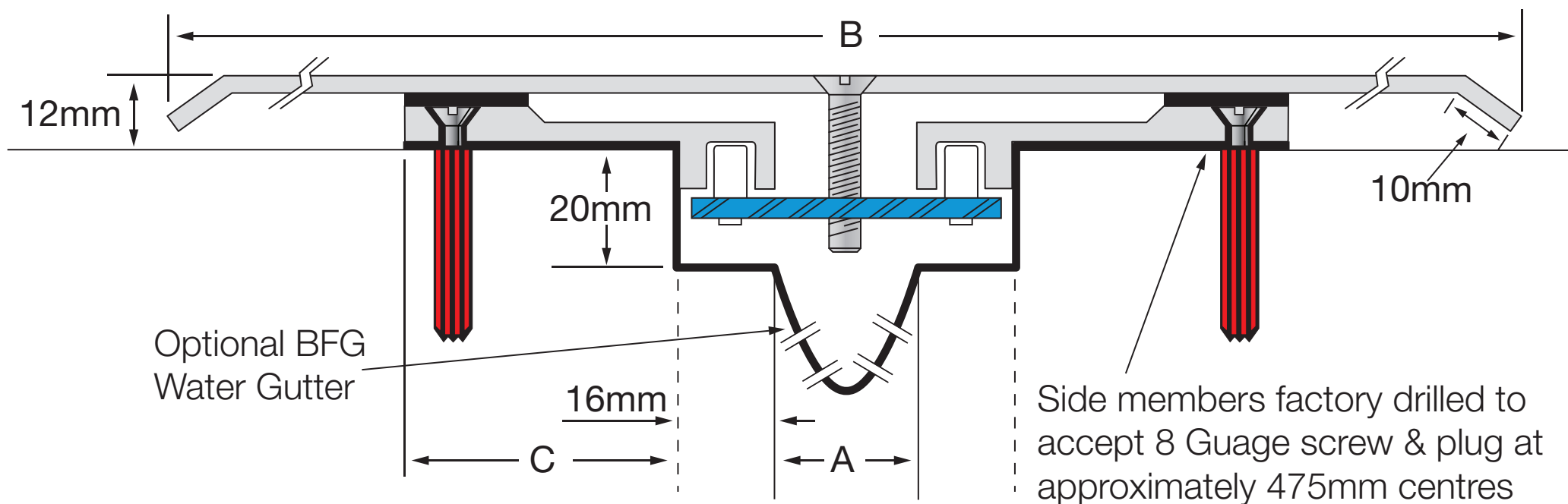
M Wall-Line Series - Standard

Flexible Expansion Joint Cover

LATHAM AUSTRALIA PTY LTD
 14 TENNYSON ROAD GLADESVILLE 2111 AUSTRALIA
 Phone: 61 2 9879 7888 Fax: 61 2 9879 7666
 Web: www.latham-australia.com



Illustrated: 25M Scale: Approx. Full Size
 All dimensions are to be verified before construction
 Verified By..... Date.....



Aluminium Code	A	B	C	Movement	Total Available Movement	Overall Depth
25M	25	235	48	+30/-17mm	37mm	12mm
50M	50	260	48	+50/-42mm	92mm	12mm
75M	75	285	48	+/-50mm	100mm	12mm
100M	100	310	48	+/-50mm	100mm	12mm
150M	150	360	48	+/-50mm	100mm	12mm

All dimensions are in millimetres. Larger joint widths and movement capabilities available on request.

Exterior/Interior use.

All mechanical expansion joint fixings by others.

The centering bar consists of two elongated spherical rods fastened at opposite ends of a flat spring steel bar. The bar is positioned diagonally across the joint opening with the elongated spherical rods inside the extruded tracks. This unique concept allows for increased rotational movements and maintains constant spring tension at the centre of the cover plate. This greatly reduces the stresses on the embedded anchor sections and the surrounding concrete slabs.

Design subject to change without notice.

COPYRIGHT © 2009

LATH3513