

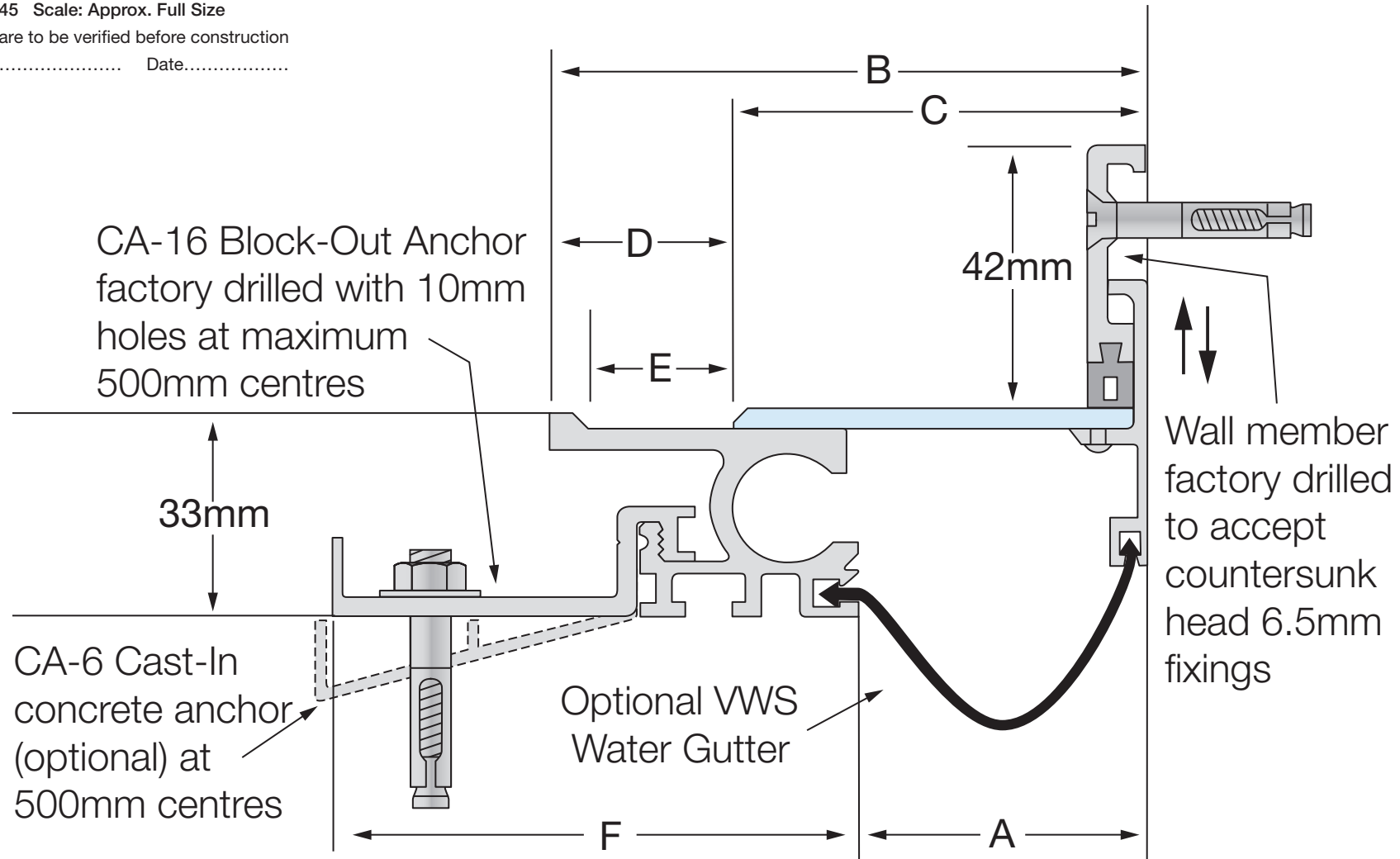
LS Ultimate Series - Standard

Flexible Expansion Joint Cover

LATHAM AUSTRALIA PTY LTD
 14 TENNYSON ROAD GLADESVILLE 2111 AUSTRALIA
 Phone: 61 2 9879 7888 Fax: 61 2 9879 7666
 Web: www.latham-australia.com



Illustrated: LS-45 Scale: Approx. Full Size
 All dimensions are to be verified before construction
 Verified By..... Date.....



Stainless Steel Code smooth deck	A	B	C	D	E	F	Movement	Total Available Movement	Overall Depth	Cover Plate Thickness
LS-45	46	91	66	25	20	82	+/-20mm	40mm	33mm	3mm
LS-75	71	111	91	25	20	82	+/-20mm	40mm	33mm	3mm
LS-100	96	137	116	25	20	82	+/-20mm	40mm	33mm	3mm
LS-150	146	187	166	25	20	82	+/-20mm	40mm	33mm	5mm

Wider joint widths available on request. All dimensions are in millimetres.

Exterior/Interior use.

All mechanical expansion joint fixings by others.
 Aluminium embedded members with specified cover plate.
 Design subject to change without notice.

COPYRIGHT © 2009

LATH3513