

LAB Brass Ultimate Series - Standard

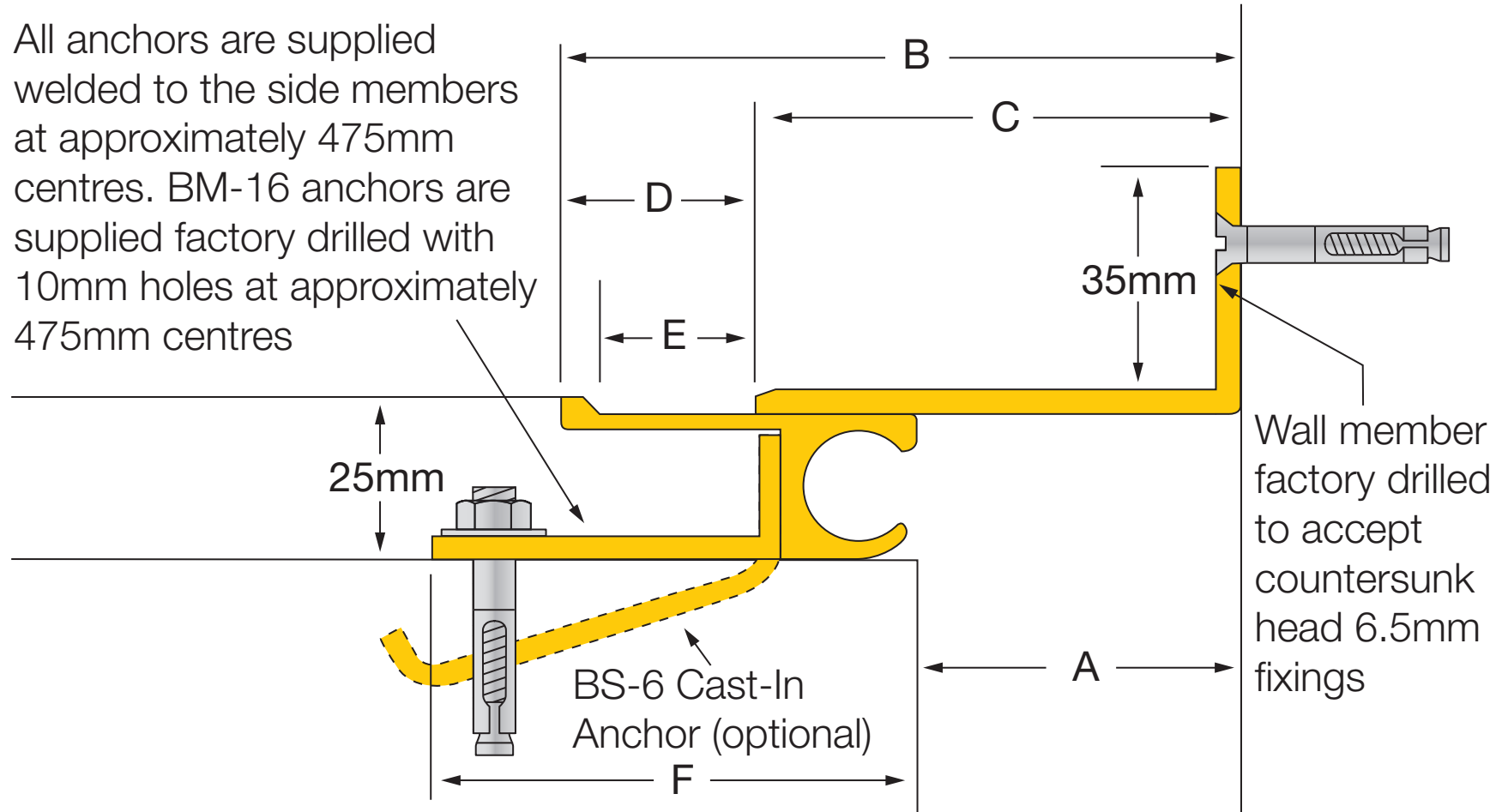
Flexible Expansion Joint Cover

LATHAM AUSTRALIA PTY LTD
 14 TENNYSON ROAD GLADESVILLE 2111 AUSTRALIA
 Phone: 61 2 9879 7888 Fax: 61 2 9879 7666
 Web: www.latham-australia.com



Illustrated: LAB-51 Scale: Approx. Full Size
 All dimensions are to be verified before construction
 Verified By..... Date.....

All anchors are supplied welded to the side members at approximately 475mm centres. BM-16 anchors are supplied factory drilled with 10mm holes at approximately 475mm centres



Solid Brass Code	A	B	C	D	E	F	Movement	Total Available Movement	Overall Depth	Cover Plate Thickness
LAB-51	50	105	75	30	25	75	+/-25mm	50mm	25mm	3mm
LAB-75	75	130	100	30	25	75	+/-25mm	50mm	25mm	3mm
LAB-100	100	155	125	30	25	75	+/-25mm	50mm	25mm	5mm
LAB-150	150	205	175	30	25	75	+/-25mm	50mm	25mm	5mm

All dimensions are in millimetres.

Exterior/Interior use.
 All mechanical expansion joint fixings by others.
 Design subject to change without notice