

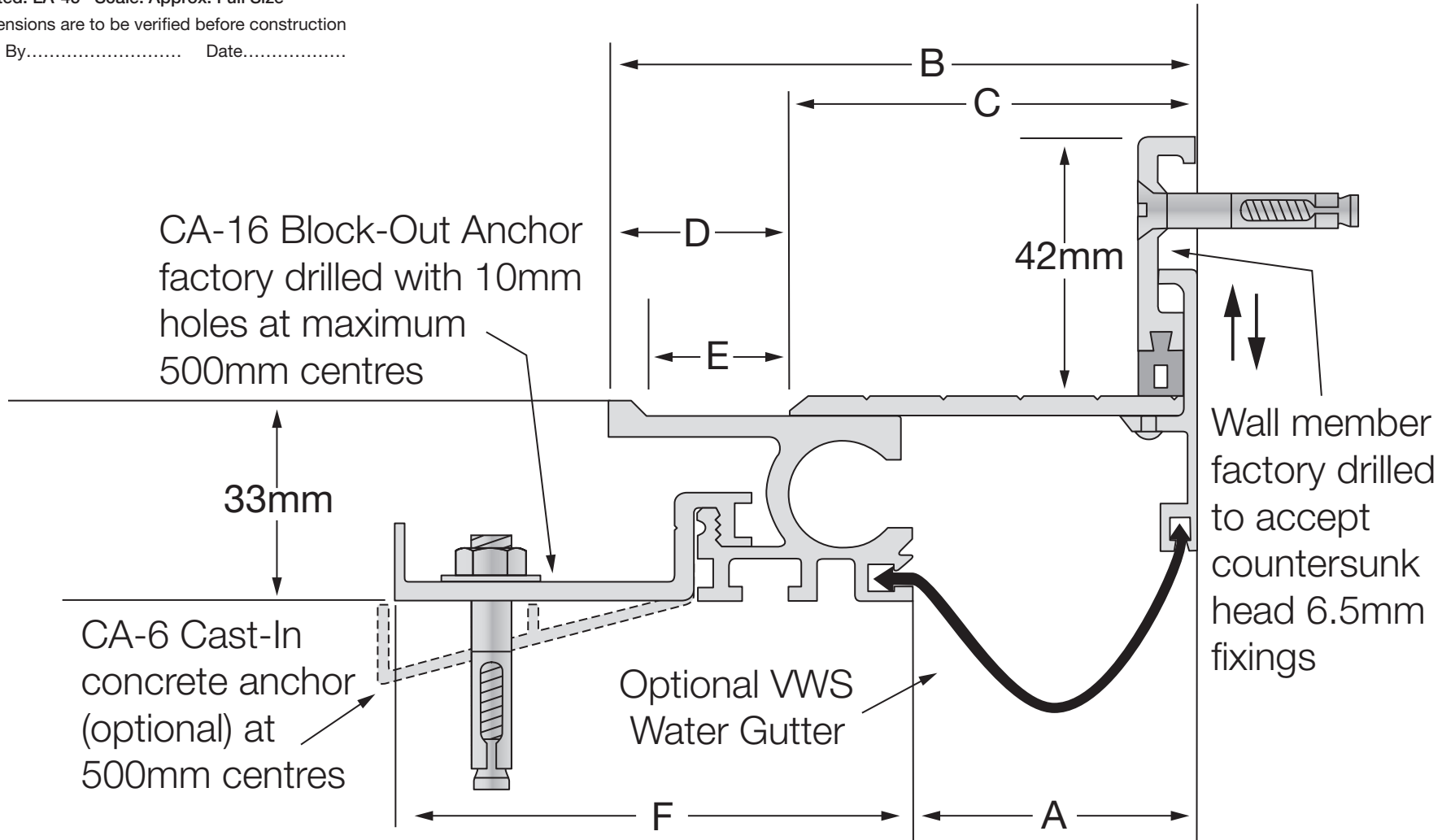
# LA Ultimate Series - Standard

Flexible Expansion Joint Cover

**LATHAM AUSTRALIA PTY LTD**  
 14 TENNYSON ROAD GLADESVILLE 2111 AUSTRALIA  
 Phone: 61 2 9879 7888 Fax: 61 2 9879 7666  
 Web: www.latham-australia.com



Illustrated: LA-45 Scale: Approx. Full Size  
 All dimensions are to be verified before construction  
 Verified By..... Date.....



Aluminium Code ribbed deck	A	B	C	D	E	F	Movement	Total Available Movement	Overall Depth	Cover Plate Thickness
LA-45	46	91	66	25	20	82	+/-20mm	40mm	33mm	3mm
LA-75	71	111	91	25	20	82	+/-20mm	40mm	33mm	3mm
LA-100	96	137	116	25	20	82	+/-20mm	40mm	33mm	4mm
LA-150	146	187	166	25	20	82	+/-20mm	40mm	33mm	5mm

Wider joint widths available on request. All dimensions are in millimetres.

Exterior/Interior use.  
 All mechanical expansion joint fixings by others.  
 Design subject to change without notice.  
 COPYRIGHT © 2009