

LA Ultimate Series - Standard

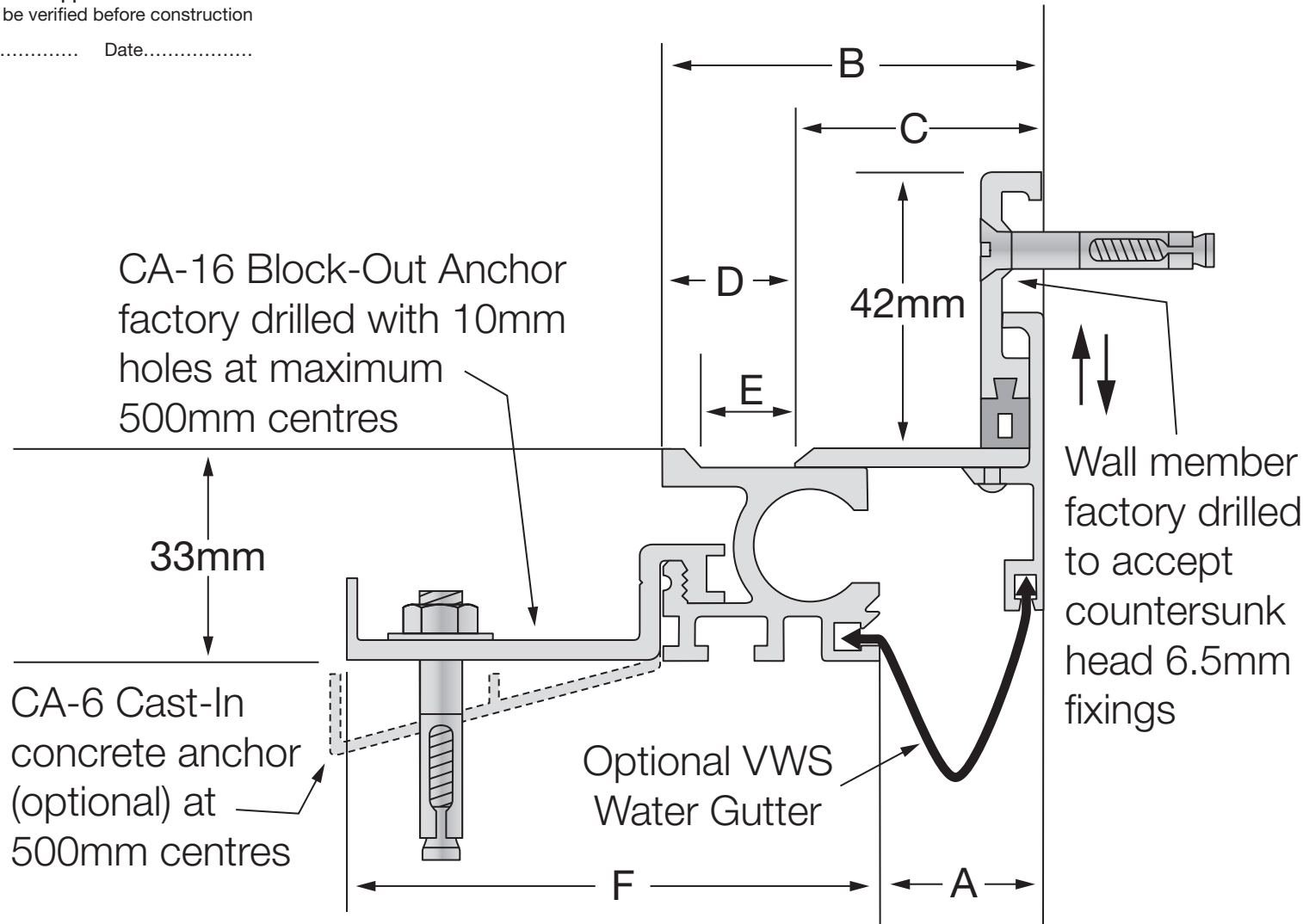
Flexible Expansion Joint Cover

LATHAM AUSTRALIA PTY LTD
 14 TENNYSON ROAD GLADESVILLE 2111 AUSTRALIA
 Phone: 61 2 9879 7888 Fax: 61 2 9879 7666
 Web: www.latham-australia.com



Illustrated: LA-25 Scale: Approx. Full Size
 All dimensions are to be verified before construction

Verified By..... Date.....



Aluminium Code ribbed deck	A	B	C	D	E	F	Movement	Total Available Movement	Overall Depth	Cover Plate Thickness
LA-25	25	56	38	18	12	82	+/-12mm	25mm	33mm	3mm
LA-50	50	81	63	18	12	82	+/-12mm	25mm	33mm	3mm

All dimensions are in millimetres.

Exterior/Interior use.

All mechanical expansion joint fixings by others.

Design subject to change without notice.

COPYRIGHT © 2009

LATH3513