

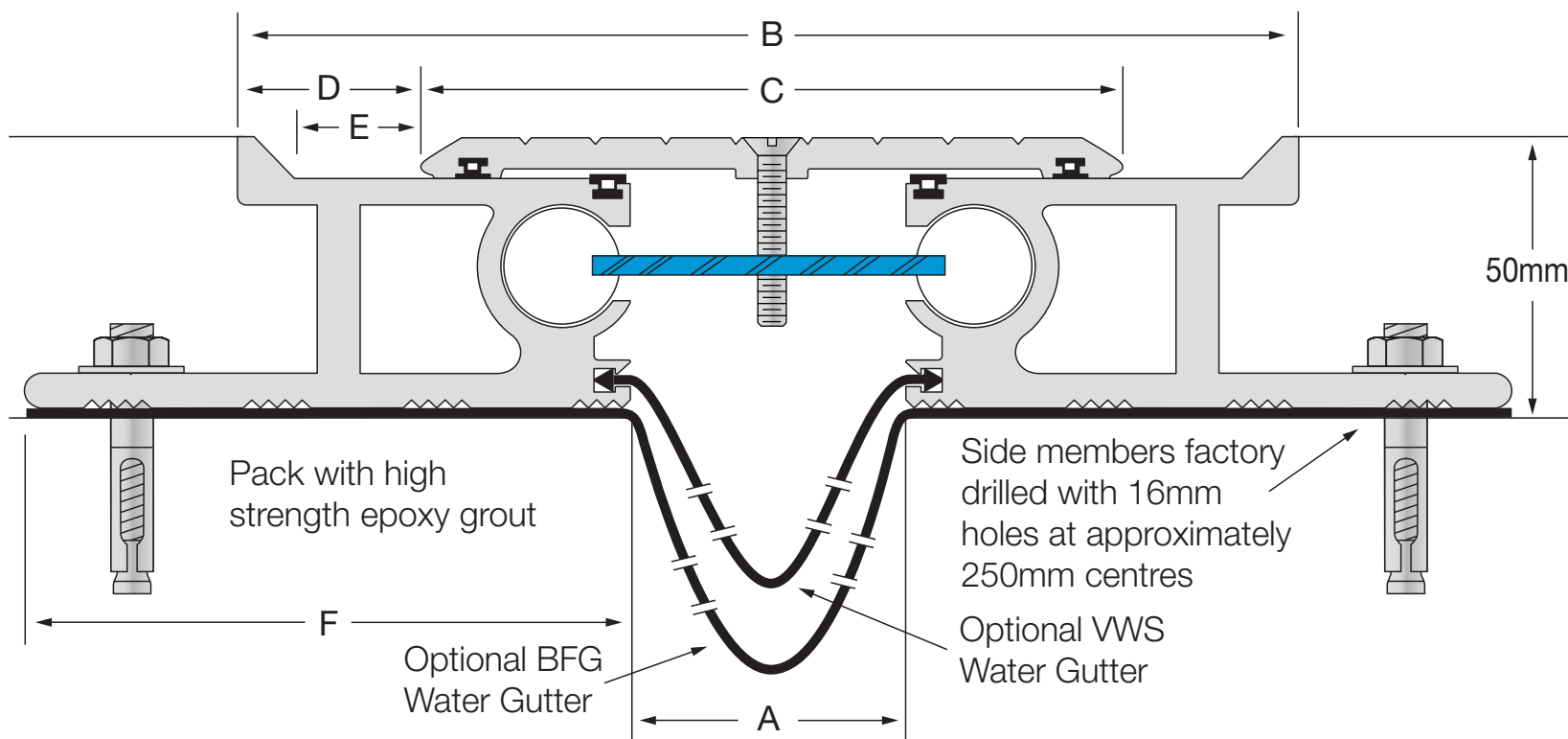
HD Heavy Duty Series - Car

Flexible Expansion Joint Cover

LATHAM AUSTRALIA PTY LTD
 14 TENNYSON ROAD GLADESVILLE 2111 AUSTRALIA
 Phone: 61 2 9879 7888 Fax: 61 2 9879 7666
 Web: www.latham-australia.com



Illustrated: HD-50 Scale: Approx. 75% full size
 All dimensions are to be verified before construction
 Verified By..... Date.....



Exterior/Interior use.

All mechanical expansion joint fixings by others.

The centering bar consists of two full nylon spheres fastened at opposite ends of a flat spring steel bar. The bar is positioned diagonally across the joint opening with the spheres inside the extruded cylindrical tracks. This unique concept allows for increased rotational movements and maintains constant spring tension at the centre of the cover plate. This greatly reduces the stresses on the embedded anchor sections and the surrounding concrete slabs.

Design subject to change without notice.

COPYRIGHT © 2009

Aluminium Code	A	B	C	D	E	F	Movement	Total Available Movement	Overall Depth	Cover Plate Thickness
HD-50	50	195	128	34	24	113	+/-36mm	72mm	50mm	6mm
HD-75	75	220	153	34	24	113	+/-36mm	72mm	50mm	6mm

All dimensions are in millimetres.

LATH3513