

# FXSL Surface-Line Series - Standard

Flexible Expansion Joint Cover

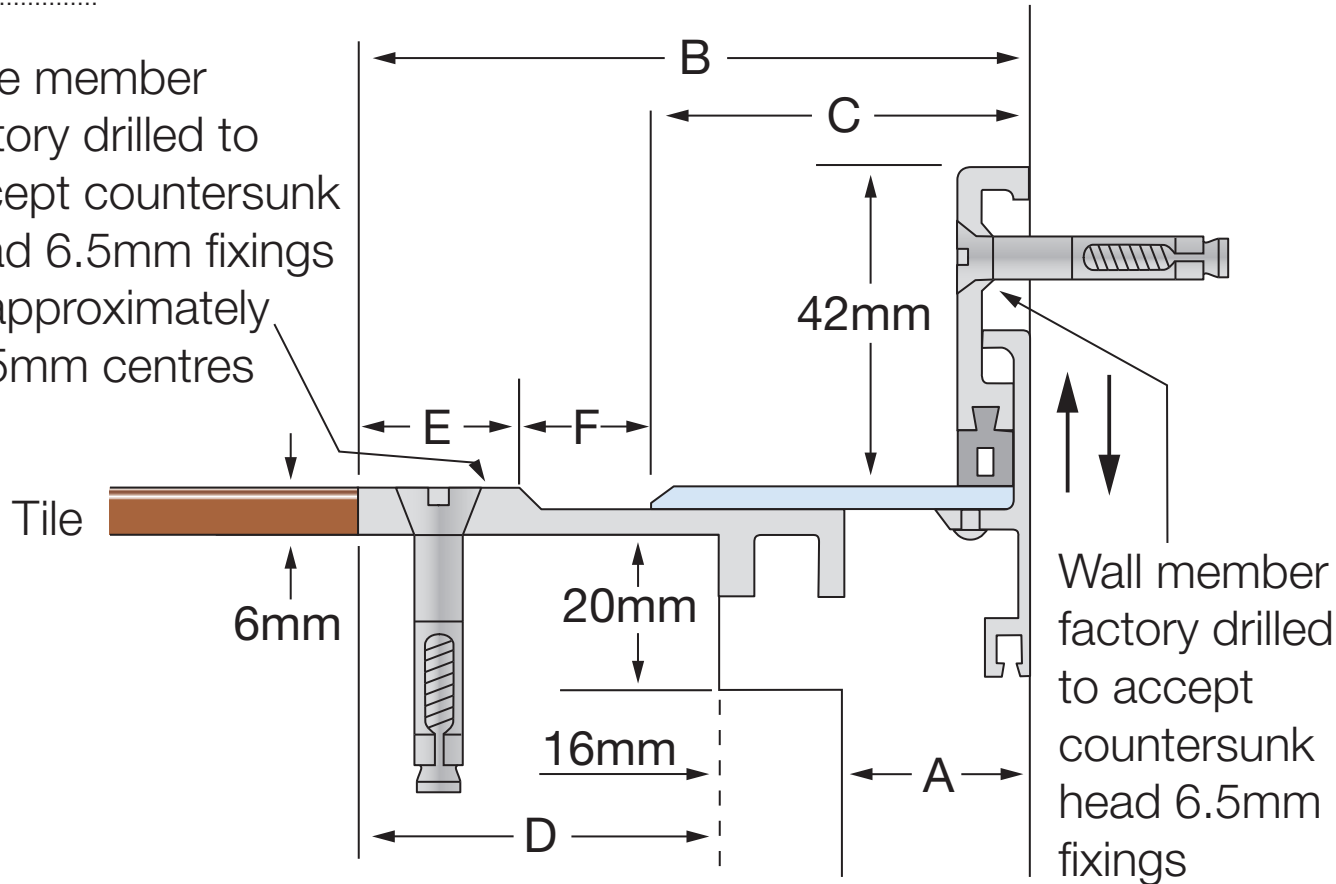
**LATHAM AUSTRALIA PTY LTD**  
 14 TENNYSON ROAD GLADESVILLE 2111 AUSTRALIA  
 Phone: 61 2 9879 7888 Fax: 61 2 9879 7666  
 Web: www.latham-australia.com



Illustrated: FXSL-25 Scale: Approx. Full Size  
 All dimensions are to be verified before construction

Verified By..... Date.....

Side member  
 factory drilled to  
 accept countersunk  
 head 6.5mm fixings  
 at approximately  
 475mm centres



Stainless Steel Code smooth deck	A	B	C	D	E	F	Movement	Total Available Movement	Overall Depth	Cover Plate Thickness
FXSL-25	25	87	50	49	20	18	+20/-15mm	35mm	Surface Mounted	3mm
FXSL-50	50	112	75	49	20	18	+20/-15mm	35mm	Surface Mounted	3mm
FXSL-75	75	137	100	49	20	18	+20/-15mm	35mm	Surface Mounted	3mm
FXSL-100	100	162	125	49	20	18	+20/-15mm	35mm	Surface Mounted	3mm
FXSL-150	150	212	175	49	20	18	+20/-15mm	35mm	Surface Mounted	4mm
FXSL-200	200	262	220	49	20	18	+20/-15mm	35mm	Surface Mounted	4mm

Larger movement capabilities and joint widths available on request, All dimensions are in millimetres.

Exterior/Interior use.  
 All mechanical expansion joint fixings by others.  
 Aluminium side members with stainless steel cover plate.  
 Design subject to change without notice.

COPYRIGHT © 2011

LATH3513