

# FW Roof-Line Series - Shallow

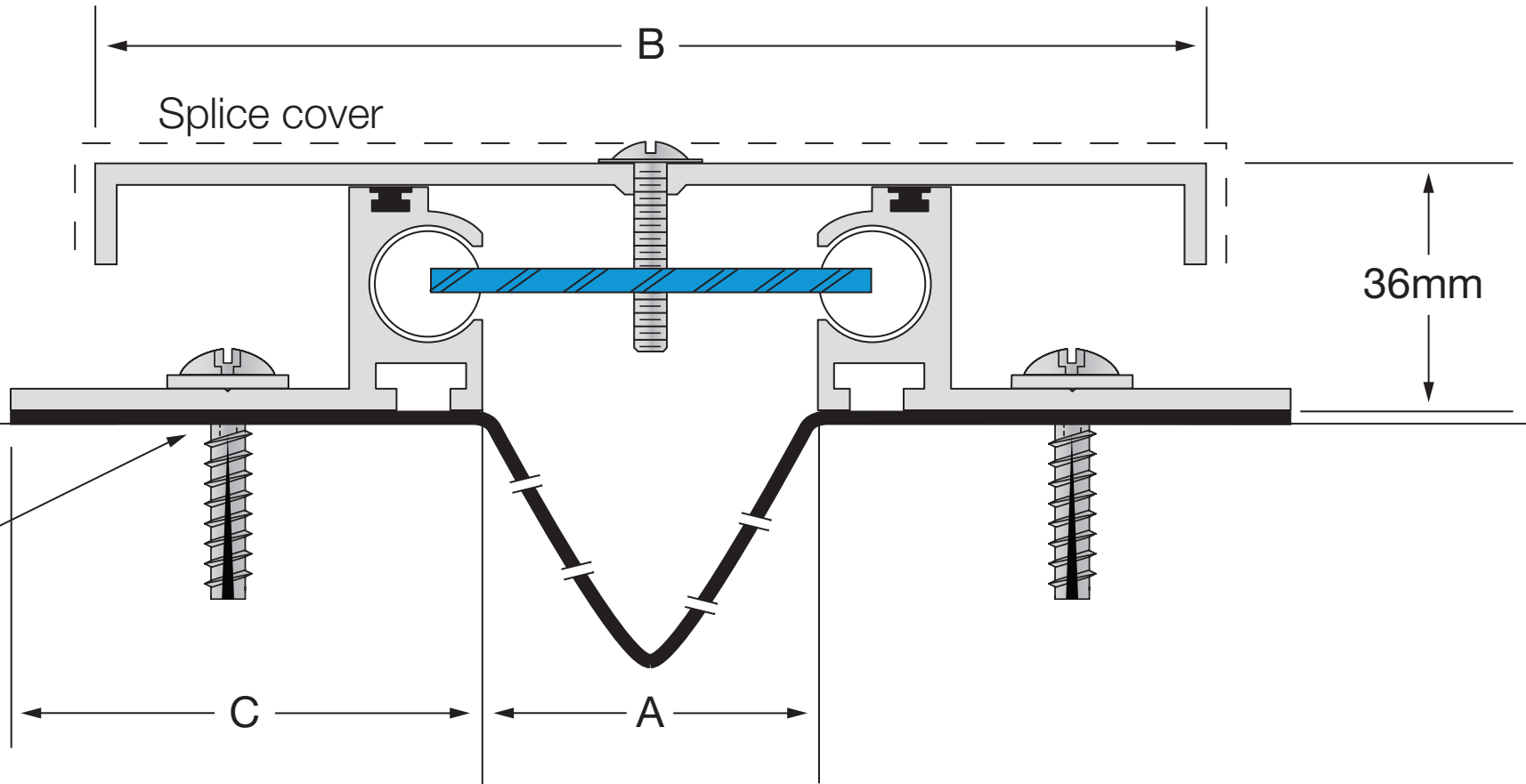
## Standard Flexible Expansion Joint Cover

**LATHAM AUSTRALIA PTY LTD**  
 14 TENNYSON ROAD GLADESVILLE 2111 AUSTRALIA  
 Phone: 61 2 9879 7888 Fax: 61 2 9879 7666  
 Web: www.latham-australia.com



Illustrated: FW-50 Scale: Approx. Full Size  
 All dimensions are to be verified before construction

Verified By..... Date.....



Side member  
 factory drilled  
 with 10mm holes  
 at approximately  
 475mm centres

Aluminium Code	A	B	C	Movement	Total Available Movement	Overall Depth
FW-25	25	114	70	+25/-17mm	42mm	36mm
FW-50	50	165	70	+50/-42mm	92mm	36mm
FW-75	75	190	70	+/-50mm	100mm	36mm
FW-100	100	215	70	+/-50mm	100mm	36mm
FW-150	150	265	70	+/-50mm	100mm	36mm

Larger movement capabilities and joint widths available on request. All dimensions are in millimetres.

Exterior/Interior use.

All mechanical expansion joint fixings by others.

The centering bar consists of two full nylon spheres fastened at opposite ends of a flat spring steel bar. The bar is positioned diagonally across the joint opening with the spheres inside the extruded cylindrical tracks. This unique concept allows for increased rotational movements and maintains constant spring tension at the centre of the cover plate. This greatly reduces the stresses on the embedded anchor sections and the surrounding concrete slabs.

Design subject to change without notice

COPYRIGHT © 2009

LATH3513