

FR Roof-Line Series - Elevated

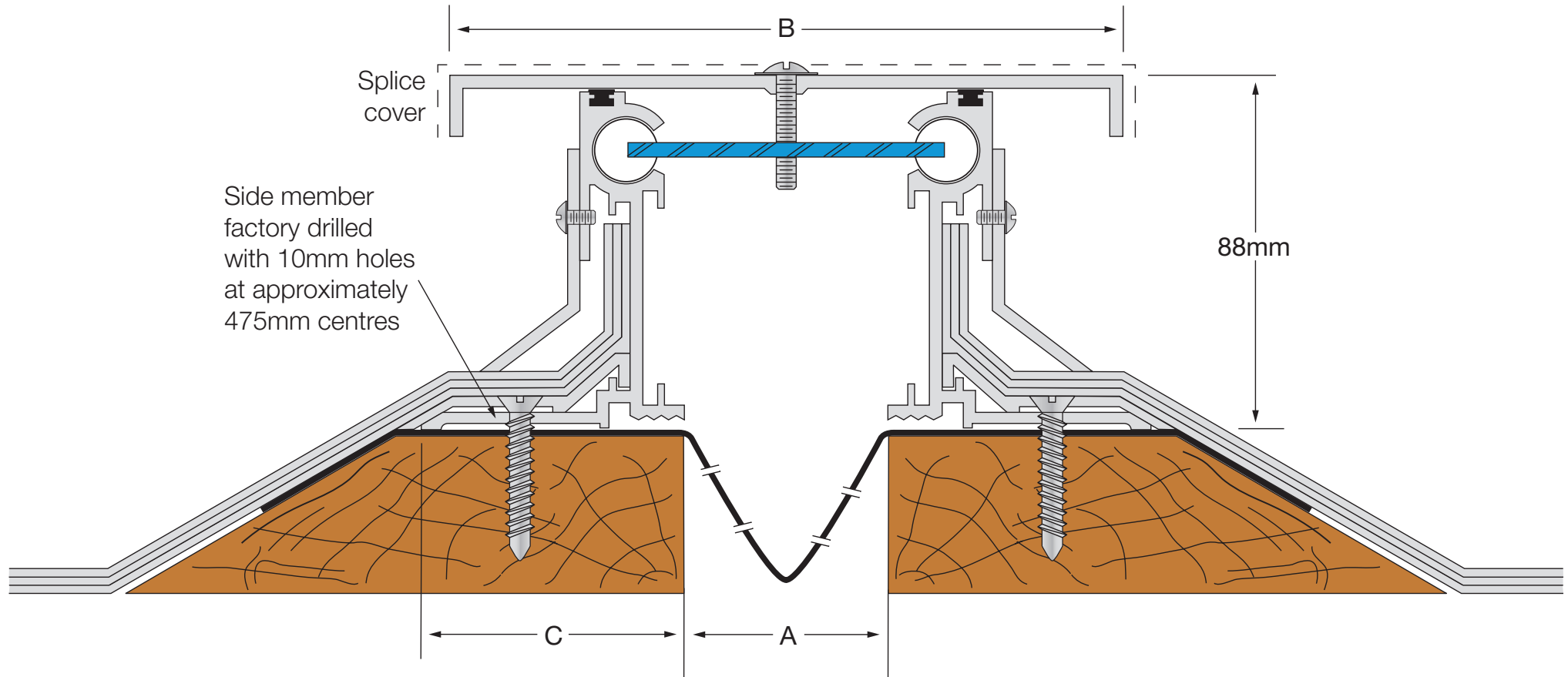
Standard Flexible Expansion Joint Cover

LATHAM AUSTRALIA PTY LTD
 14 TENNYSON ROAD GLADESVILLE 2111 AUSTRALIA
 Phone: 61 2 9879 7888 Fax: 61 2 9879 7666
 Web: www.latham-australia.com



Illustrated: FR-50 Scale: Approx. 70% Full Size
 All dimensions are to be verified before construction

Verified By..... Date.....



Aluminium Code	A	B	C	Movement	Total Available Movement	Overall Depth
FR-25	25	114	64	+25/-15mm	40mm	88mm
FR-50	50	165	64	+50/-42mm	92mm	88mm
FR-75	75	190	64	+/-50mm	100mm	88mm
FR-100	100	215	64	+/-50mm	100mm	88mm
FR-150	150	265	64	+/-50mm	100mm	88mm

Larger movement capabilities and joint widths available on request. All dimensions are in millimetres.

Exterior/Interior use.

All mechanical expansion joint fixings by others.

The centering bar consists of two full nylon spheres fastened at opposite ends of a flat spring steel bar. The bar is positioned diagonally across the joint opening with the spheres inside the extruded cylindrical tracks. This unique concept allows for increased rotational movements and maintains constant spring tension at the centre of the cover plate. This greatly reduces the stresses on the embedded anchor sections and the surrounding concrete slabs.

Design subject to change without notice

COPYRIGHT © 2009

LATH3513