

EXSL Surface-Line Series - Standard

Flexible Expansion Joint Cover

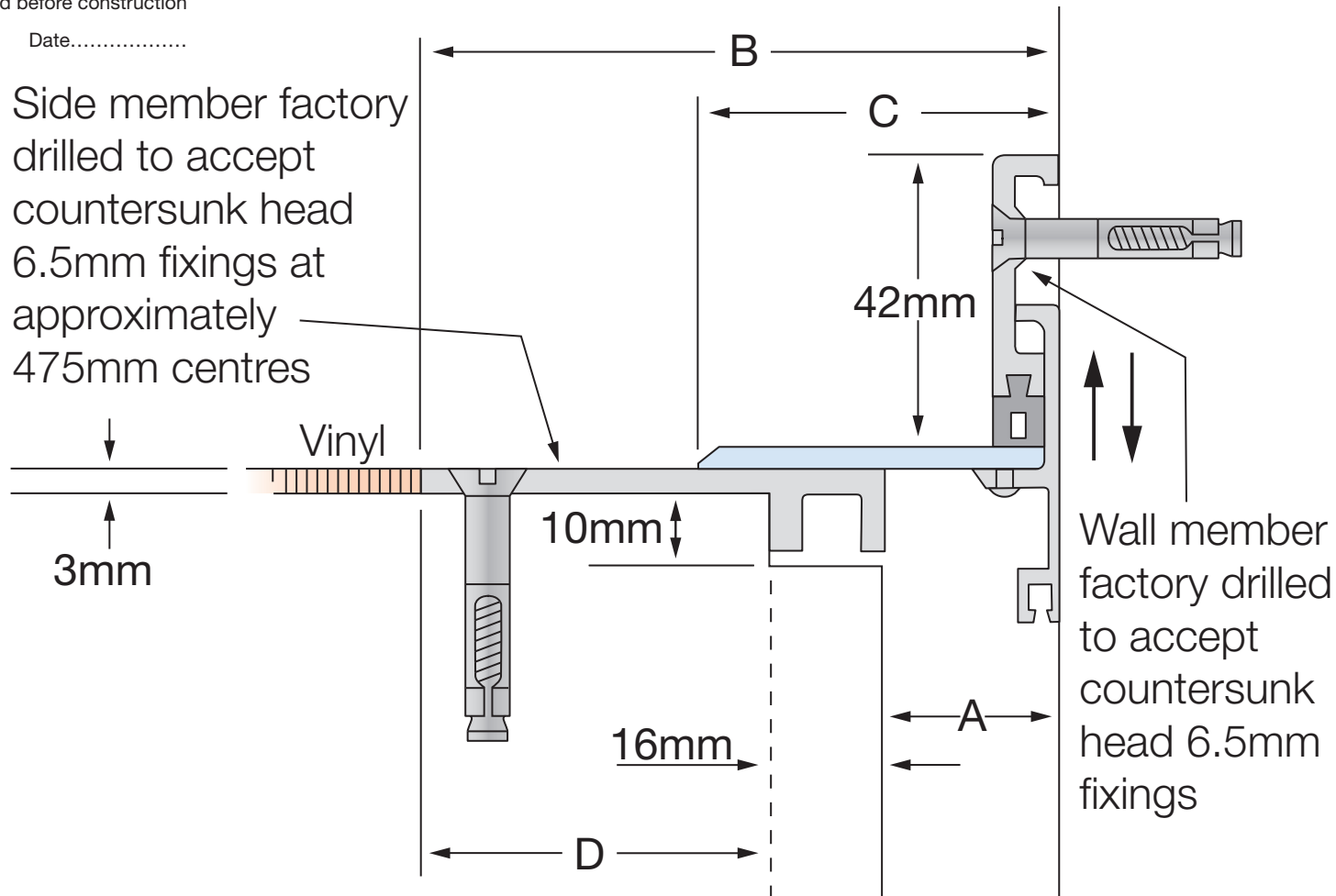
LATHAM AUSTRALIA PTY LTD
 14 TENNYSON ROAD GLADESVILLE 2111 AUSTRALIA
 Phone: 61 2 9879 7888 Fax: 61 2 9879 7666
 Web: www.latham-australia.com



Illustrated: EXSL-25 Scale: Approx. Full Size
 All dimensions are to be verified before construction

Verified By..... Date.....

Side member factory drilled to accept countersunk head 6.5mm fixings at approximately 475mm centres



Wall member factory drilled to accept countersunk head 6.5mm fixings

Stainless Steel Code smooth deck	A	B	C	D	Movement	Total Available Movement	Overall Depth	Cover Plate Thickness
EXSL-25	25	90	50	49	+/-20mm	40mm	Surface Mounted	3mm
EXSL-50	50	115	75	49	+/-20mm	40mm	Surface Mounted	3mm
EXSL-75	75	140	100	49	+/-20mm	40mm	Surface Mounted	3mm
EXSL-100	100	165	125	49	+/-20mm	40mm	Surface Mounted	3mm
EXSL-150	150	215	175	49	+/-20mm	40mm	Surface Mounted	4mm

Larger movement capabilities and joint widths available on request, All dimensions are in millimetres.

Exterior/Interior use.
 All mechanical expansion joint fixings by others.
 Aluminium side members with satinless steel cover plate.
 Design subject to change without notice.