

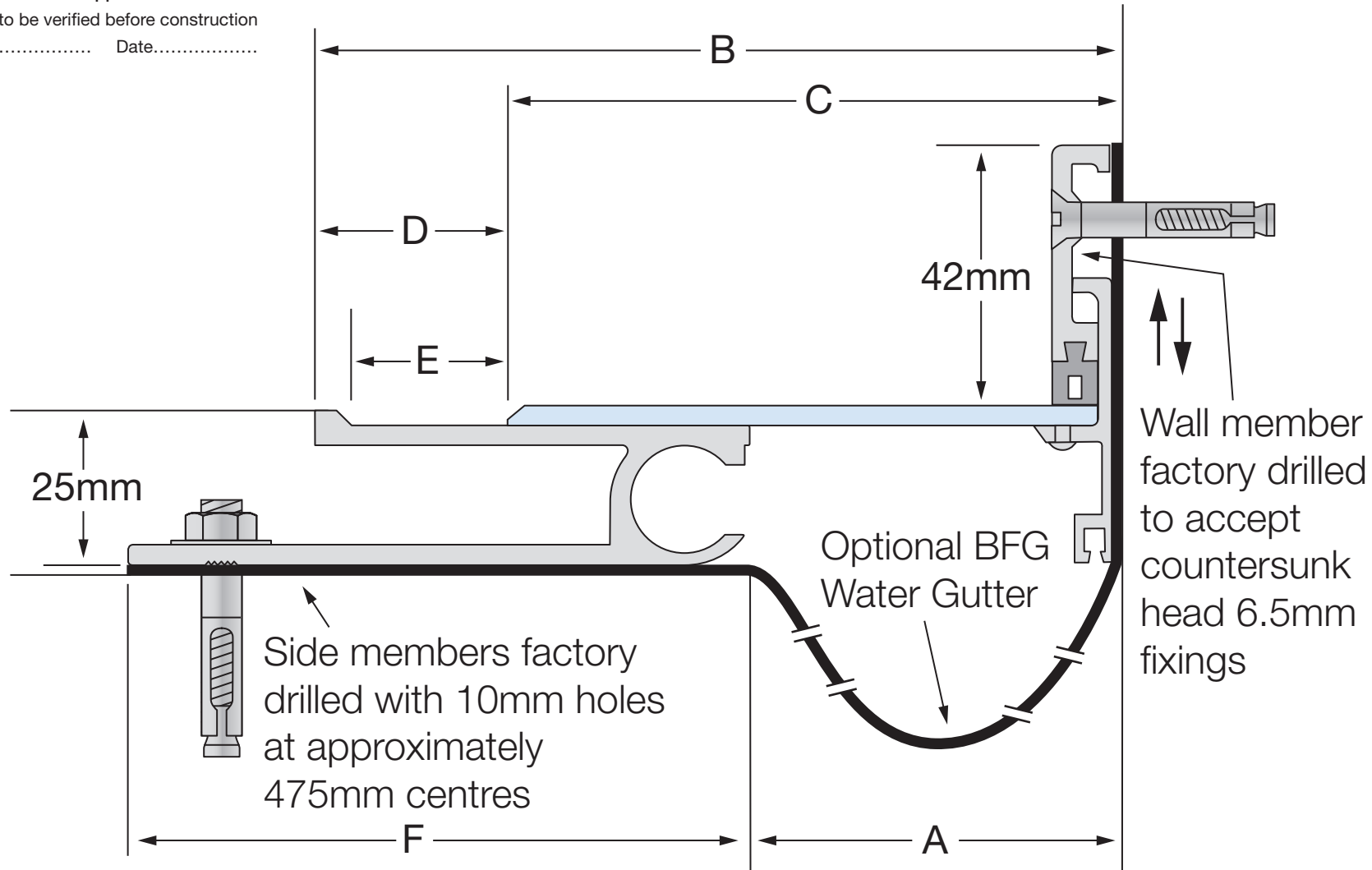
DCSL Ultimate Series - Shallow

Flexible Mechanical Expansion Joint Cover

LATHAM AUSTRALIA PTY LTD
 14 TENNYSON ROAD GLADESVILLE 2111 AUSTRALIA
 Phone: 61 2 9879 7888 Fax: 61 2 9879 7666
 Web: www.latham-australia.com



Illustrated: DCSL-60 Scale: Approx. Full Size
 All dimensions are to be verified before construction
 Verified By..... Date.....



Stainless Steel Code smooth deck	A	B	C	D	E	F	Movement	Total Available Movement	Overall Depth	Cover Plate Thickness
DCSL-60	60	130	99	40	35	105	+/-32mm	65mm	25mm	3mm
DCSL-110	110	180	145	40	35	105	+/-32mm	65mm	25mm	3mm
DCSL-150	150	220	185	40	35	105	+/-32mm	65mm	25mm	5mm

Wider joint widths available on request. All dimensions are in millimetres.

Exterior/Interior use.
 All mechanical expansion joint fixings by others.
 Aluminium embedded members with specified cover plate.
 Design subject to change without notice.