

# DCS Ultimate Series - Shallow

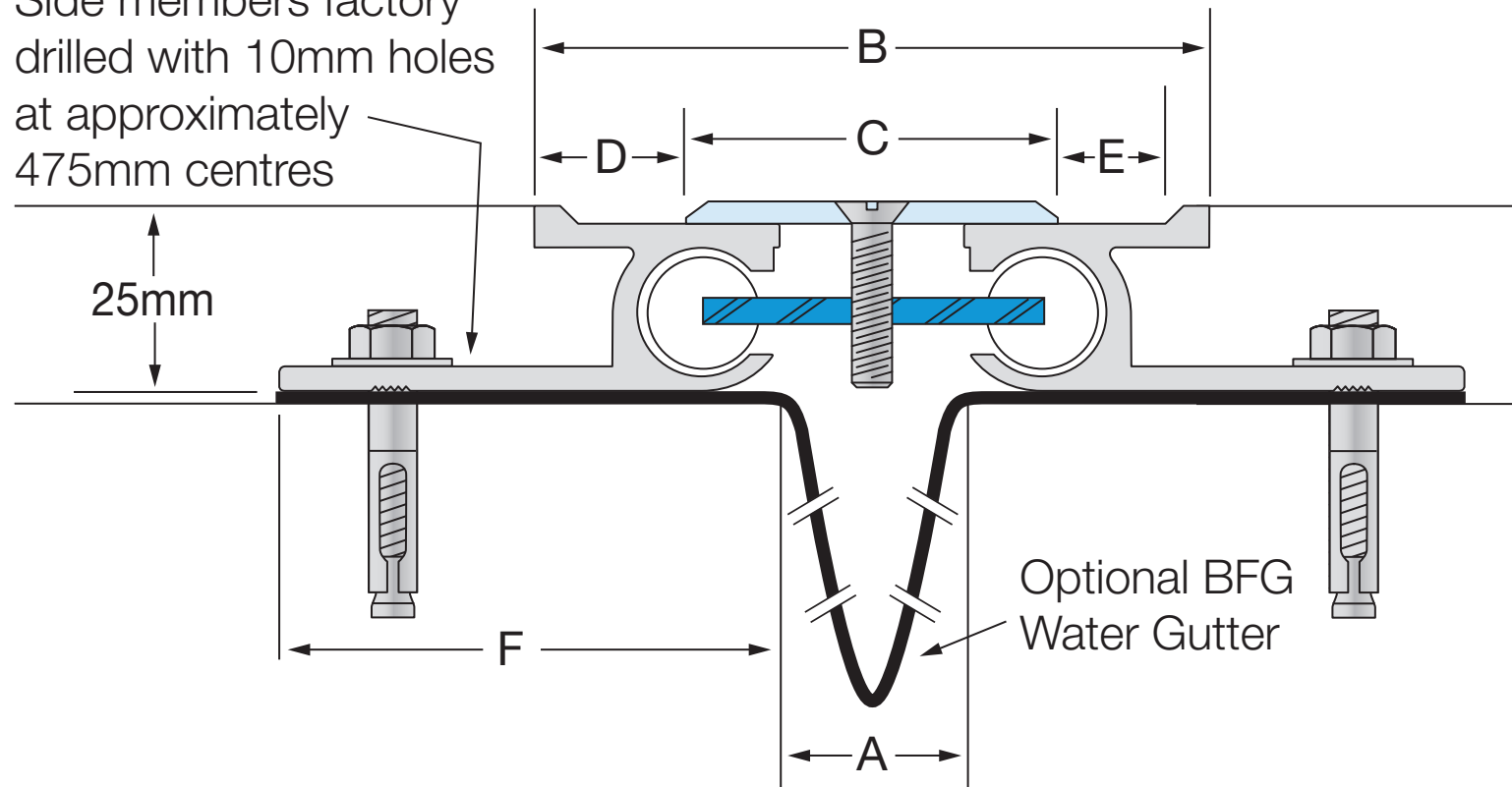
Flexible Mechanical Expansion Joint Cover

**LATHAM AUSTRALIA PTY LTD**  
 14 TENNYSON ROAD GLADESVILLE 2111 AUSTRALIA  
 Phone: 61 2 9879 7888 Fax: 61 2 9879 7666  
 Web: www.latham-australia.com



Illustrated: DCS-25 Scale: Approx. Full Size  
 All dimensions are to be verified before construction  
 Verified By..... Date.....

Side members factory drilled with 10mm holes at approximately 475mm centres



Exterior/Interior use.

All mechanical expansion joint fixings by others.

Aluminium embedded members with stainless steel cover plate.

The centering bar consists of two full nylon spheres fastened at opposite ends of a flat spring steel bar. The bar is positioned diagonally across the joint opening with the spheres inside the extruded cylindrical tracks. This unique concept allows for increased rotational movements and maintains constant spring tension at the centre of the cover plate. This greatly reduces the stresses on the embedded anchor sections and the surrounding concrete slabs.

Design subject to change without notice.

COPYRIGHT © 2009

Stainless Steel Code smooth deck	A	B	C	D	E	F	Movement	Total Available Movement	Overall Depth	Cover Plate Thickness
DCS-25	25	90	50	18	12	68	+20/-15mm	35mm	25mm	3mm
DCS-50	50	116	75	18	12	68	+20/-25mm	45mm	25mm	3mm
DCS-75	75	141	100	18	12	68	+20/-25mm	45mm	25mm	3mm

All dimensions are in millimetres.

LATH3513