

DCAL Ultimate Series - Shallow

Flexible Mechanical Expansion Joint Cover

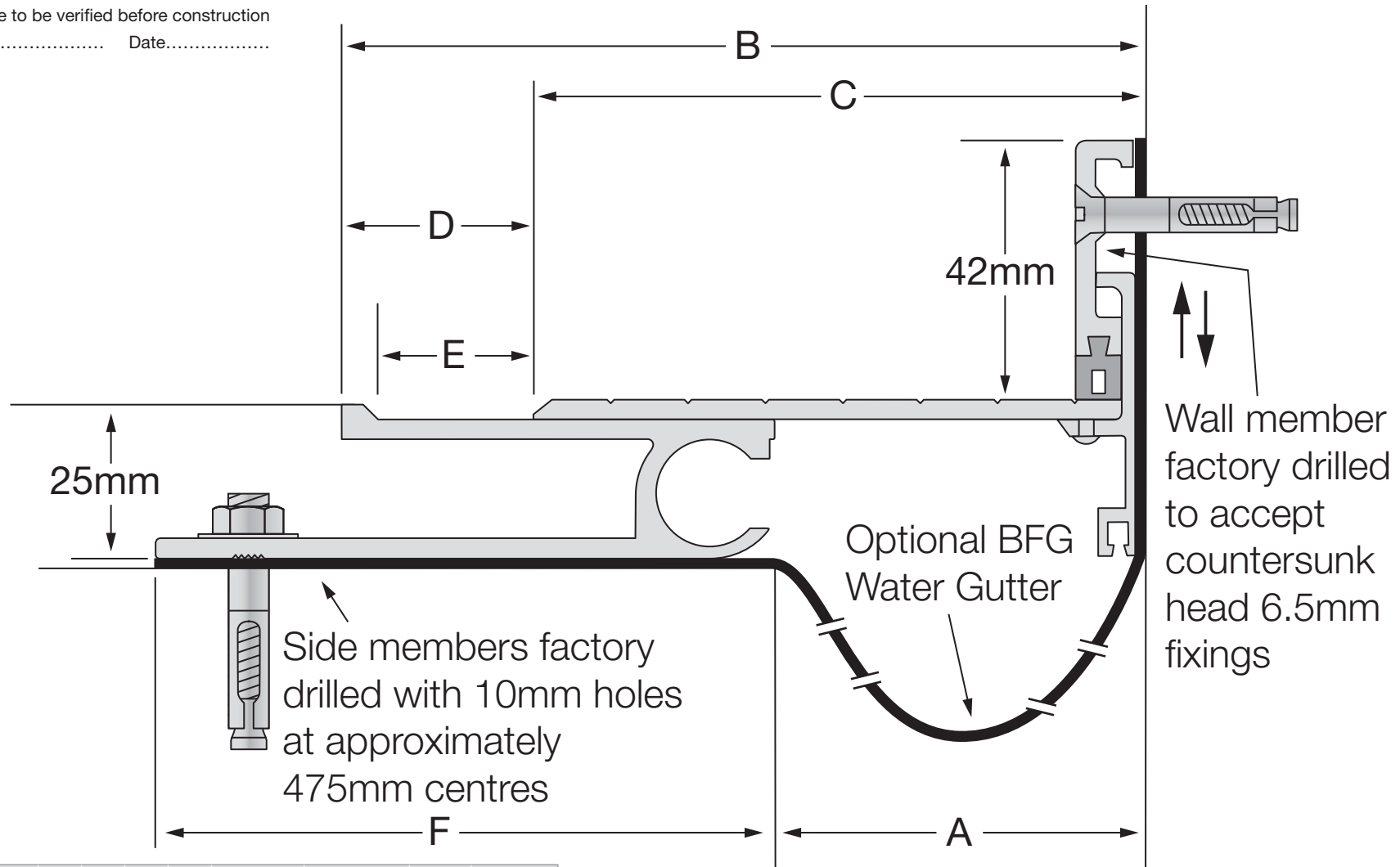
LATHAM AUSTRALIA PTY LTD
 14 TENNYSON ROAD GLADESVILLE 2111 AUSTRALIA
 Phone: 61 2 9879 7888 Fax: 61 2 9879 7666
 Web: www.latham-australia.com



Illustrated: DCAL-60 Aluminium Scale: Approx. Full Size

All dimensions are to be verified before construction

Verified By..... Date.....



Aluminium Code ribbed deck	A	B	C	D	E	F	Movement	Total Available Movement	Overall Depth	Cover Plate Thickness
DCAL-60	60	130	99	40	35	105	+/-32mm	65mm	25mm	4mm
DCAL-110	110	180	145	40	35	105	+/-32mm	65mm	25mm	5mm
DCAL-150	150	220	185	40	35	105	+/-32mm	65mm	25mm	5mm

All dimensions are in millimetres.

Exterior/Interior use.

All mechanical expansion joint fixings by others.

Design subject to change without notice.

COPYRIGHT © 2009

LATH3513