

DCA Ultimate Series - Shallow

Flexible Mechanical Expansion Joint Cover

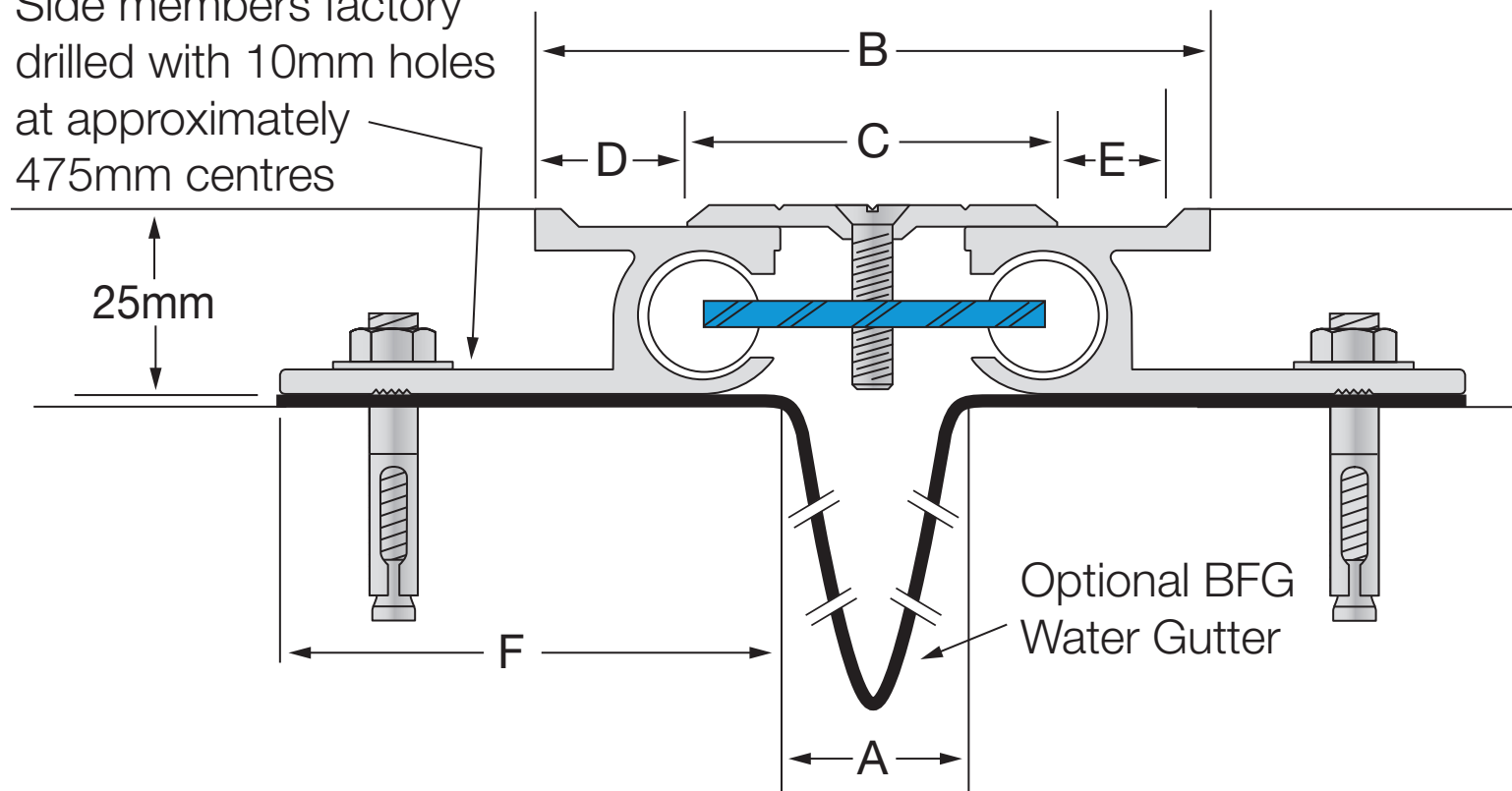
LATHAM AUSTRALIA PTY LTD
 14 TENNYSON ROAD GLADESVILLE 2111 AUSTRALIA
 Phone: 61 2 9879 7888 Fax: 61 2 9879 7666
 Web: www.latham-australia.com



Illustrated: DCA-25 Aluminium Scale: Approx. Full Size
 All dimensions are to be verified before construction

Verified By..... Date.....

Side members factory drilled with 10mm holes at approximately 475mm centres



Aluminium Code ribbed deck	A	B	C	D	E	F	Movement	Total Available Movement	Overall Depth	Cover Plate Thickness
DCA-25	25	90	50	18	12	68	+20/-15mm	35mm	25mm	3mm
DCA-50	50	116	75	18	12	68	+20/-25mm	45mm	25mm	3mm
DCA-75	75	141	100	18	12	68	+20/-25mm	45mm	25mm	3mm

All dimensions are in millimetres.

Exterior/Interior use.

All mechanical expansion joint fixings by others.

The centering bar consists of two full nylon spheres fastened at opposite ends of a flat spring steel bar. The bar is positioned diagonally across the joint opening with the spheres inside the extruded cylindrical tracks. This unique concept allows for increased rotational movements and maintains constant spring tension at the centre of the cover plate. This greatly reduces the stresses on the embedded anchor sections and the surrounding concrete slabs.

Design subject to change without notice.

COPYRIGHT © 2009

LATH3513