

CA Ultimate Series - Standard

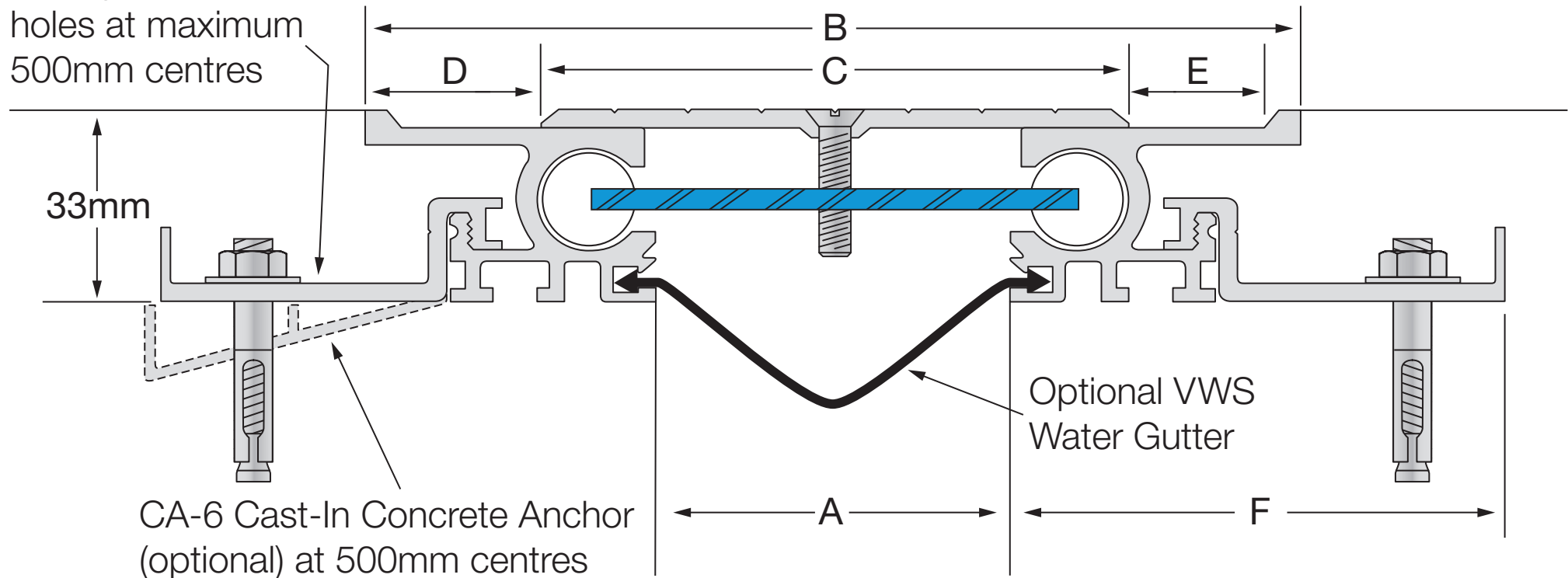
Flexible Expansion Joint Cover

LATHAM AUSTRALIA PTY LTD
 14 TENNYSON ROAD GLADESVILLE 2111 AUSTRALIA
 Phone: 61 2 9879 7888 Fax: 61 2 9879 7666
 Web: www.latham-australia.com



Illustrated: CA-60 Aluminium Scale: Approx. Full Size
 All dimensions are to be verified before construction
 Verified By..... Date.....

CA-16 Block-Out Anchor
 factory drilled with 10mm
 holes at maximum
 500mm centres



CA-6 Cast-In Concrete Anchor
 (optional) at 500mm centres

Aluminium Code ribbed deck	A	B	C	D	E	F	Movement	Total Available Movement	Overall Depth	Cover Plate Thickness
CA-35	35	125	75	25	20	82	+35/-25mm	60mm	33mm	3mm
CA-60	60	150	100	25	20	82	+/-35mm	70mm	33mm	3mm
CA-75	75	165	115	25	20	82	+/-35mm	70mm	33mm	3mm
CA-85	85	175	125	25	20	82	+/-35mm	70mm	33mm	4mm
CA-100	100	190	140	25	20	82	+/-35mm	70mm	33mm	4mm
CA-135	135	225	175	25	20	82	+/-35mm	70mm	33mm	5mm

All dimensions are in millimetres.

Exterior/Interior use.

All mechanical expansion joint fixings by others.

The centering bar consists of two full nylon spheres fastened at opposite ends of a flat spring steel bar. The bar is positioned diagonally across the joint opening with the spheres inside the extruded cylindrical tracks. This unique concept allows for increased rotational movements and maintains constant spring tension at the centre of the cover plate. This greatly reduces the stresses on the embedded anchor sections and the surrounding concrete slabs.

Design subject to change without notice.

COPYRIGHT © 2009

LATH3513