

# BSL-10 Surface-Line Series - Slip Joint

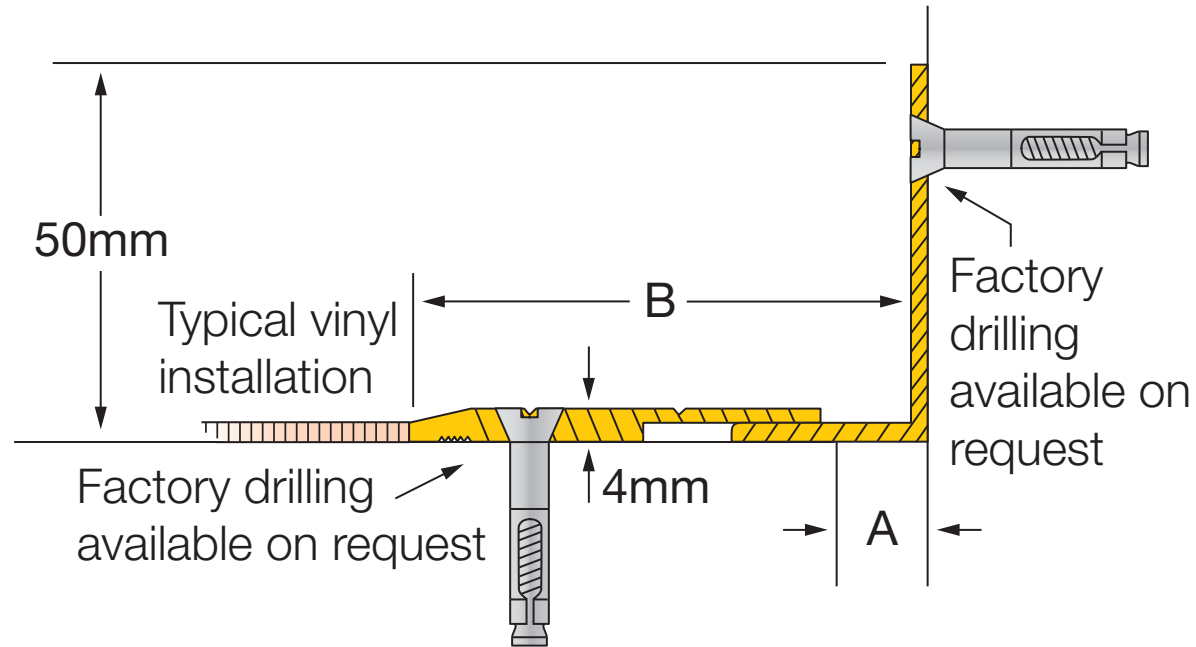
Flexible Expansion Joint Cover

**LATHAM AUSTRALIA PTY LTD**  
 14 TENNYSON ROAD GLADESVILLE 2111 AUSTRALIA  
 Phone: 61 2 9879 7888 Fax: 61 2 9879 7666  
 Web: www.latham-australia.com



Illustrated: BSL-10 Scale: Approx. Full Size  
 All dimensions are to be verified before construction

Verified By..... Date.....



Solid Brass Code	A	B	Movement	Total Available Movement	Overall Depth
BSL-10	12	65	+/-12mm	24mm	Surface Mounted 4mm

All dimensions are in millimetres.

Interior use only.  
 All mechanical expansion joint fixings by others.  
 Solid brass slip joint.  
 Design subject to change without notice.