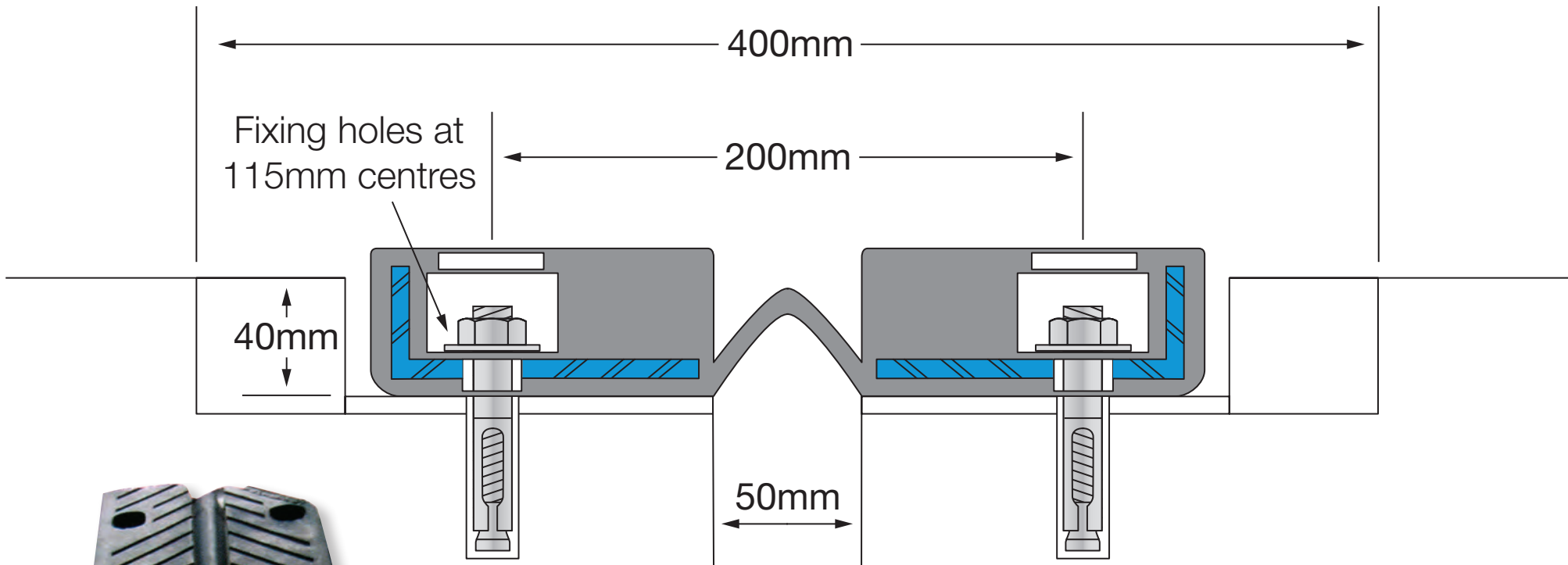


BEJ Series Bridge Joint System

LATHAM AUSTRALIA PTY LTD
14 TENNYSON ROAD GLADESVILLE 2111 AUSTRALIA
Phone: 61 2 9879 7888 Fax: 61 2 9879 7666
Web: www.latham-australia.com



ILLUSTRATED: BEJ Series
SCALE: Approx.50% full size
All dimensions are to be verified before construction
Verified By..... Date.....



All mechanical expansion joint fixings by others.
Design subject to change without notice