

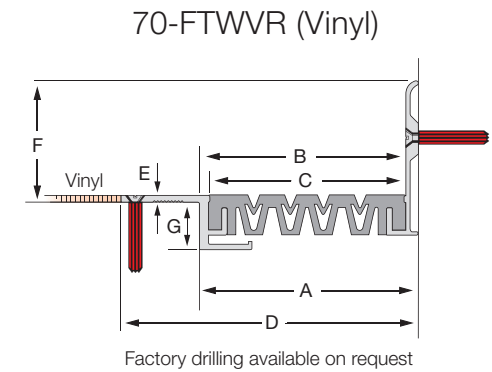
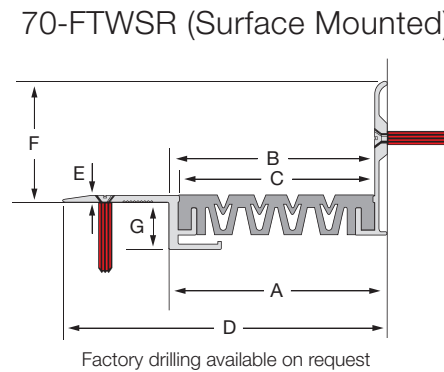
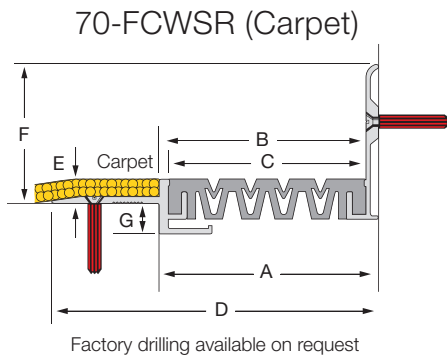
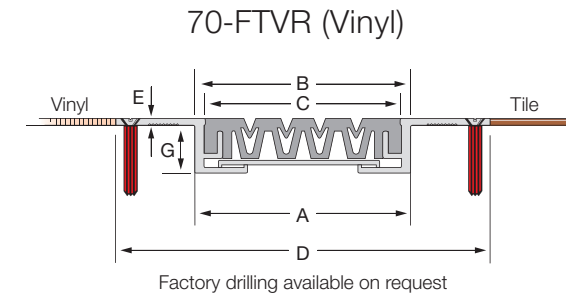
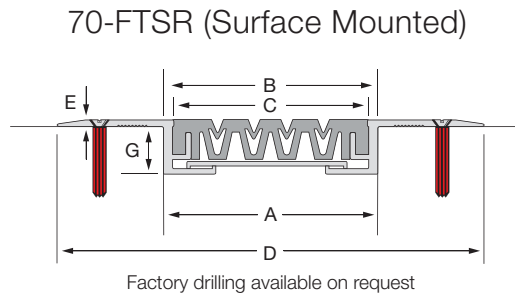
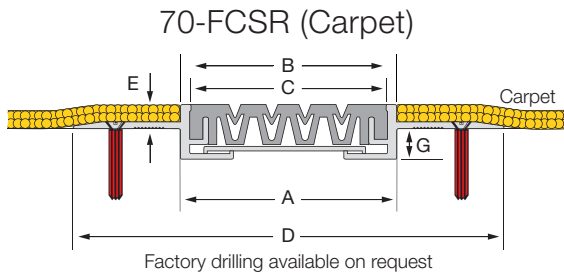
70 Series Resilient Surface Mounted Light Duty Flexible Expansion Joint Cover

LATHAM AUSTRALIA PTY LTD
 14 TENNYSON ROAD GLADESVILLE 2111 AUSTRALIA
 Phone: 61 2 9879 7888 Fax: 61 2 9879 7666
 Web: www.latham-australia.com



Scale: Approx. 40% Full Size
 All dimensions are to be verified before construction

Verified By..... Date.....



Aluminium Code	A	B	C	D	E	F	G	Movement	Total Available Movement	Overall Depth
70-FCSR	70	71	65	141	8		10	+/-10mm	20mm	18mm
70-FCWSR	70	68	65	106	8	36	10	+/-10mm	20mm	46mm
70-FTSR	70	71	65	141	3		20	+/-10mm	20mm	23mm
70-FTWSR	70	68	65	106	3	36	20	+/-10mm	20mm	56mm
70-FTVR	70	71	65	125	3		20	+/-10mm	20mm	23mm
70-FTWVR	70	68	65	98	3	36	20	+/-10mm	20mm	56mm

All dimensions are in millimetres.

Interior applications only.
 All mechanical expansion joint fixings by others.
 Design subject to change without notice