

50 Series Resilient Light Duty

Flexible Expansion Joint Cover

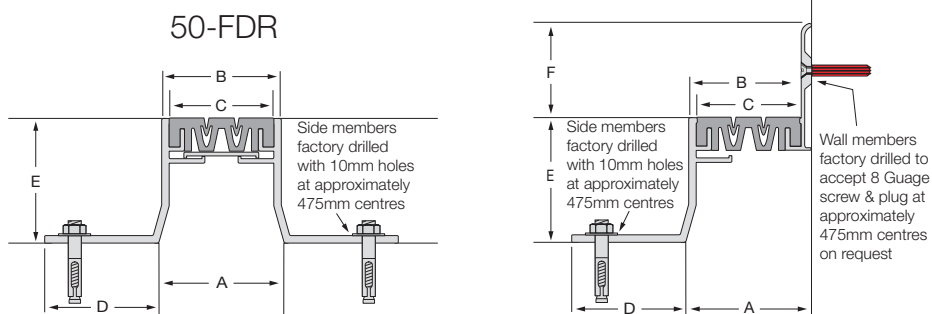
LATHAM AUSTRALIA PTY LTD
 14 TENNYSON ROAD GLADESVILLE 2111 AUSTRALIA
 Phone: 61 2 9879 7888 Fax: 61 2 9879 7666
 Web: www.latham-australia.com



Scale: Approx. 33% Full Size
 All dimensions are to be verified before construction

Verified By..... Date.....

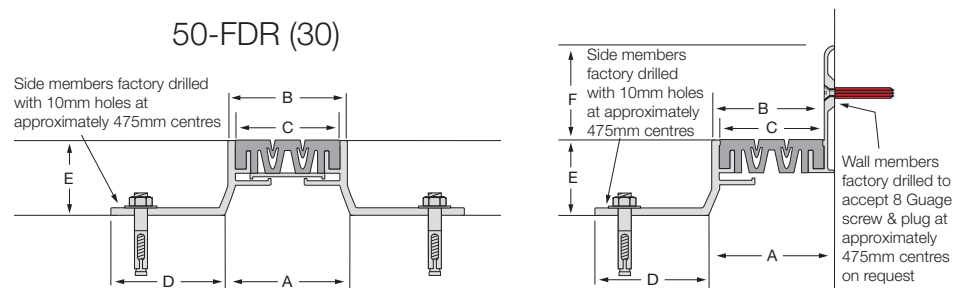
50-FDRW



Aluminium Code	A	B	C	D	E	F	Movement	Total Available Movement	Overall Depth
50-FDR	50	48	42	50	50		+/-5mm	10mm	50mm
50-FDRW	50	45	42	50	50	38	+/-5mm	10mm	88mm

All dimensions are in millimetres.

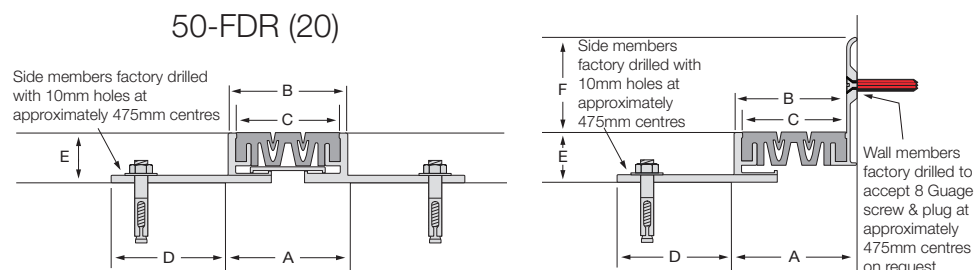
50-FDRW (30)



Aluminium Code	A	B	C	D	E	F	Movement	Total Available Movement	Overall Depth
50-FDR (30)	50	48	42	50	30		+/-5mm	10mm	30mm
50-FDRW (30)	50	45	42	50	30	38	+/-5mm	10mm	68mm

All dimensions are in millimetres.

50-FDRW (20)



Aluminium Code	A	B	C	D	E	F	Movement	Total Available Movement	Overall Depth
50-FDR (20)	50	48	42	50	20		+/-5mm	10mm	20mm
50-FDRW (20)	50	45	42	50	20	38	+/-5mm	10mm	58mm

All dimensions are in millimetres.

Interior applications only.
 All mechanical expansion joint fixings by others.
 Design subject to change without notice

COPYRIGHT © 2009

LATH3513

B50 Series Resilient Light Duty Flexible Expansion Joint Cover

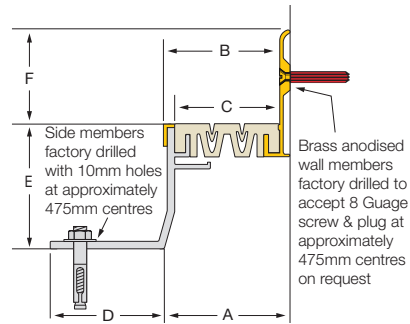
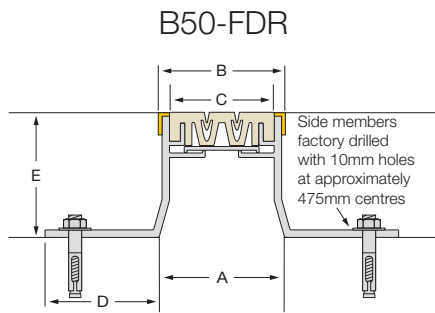
LATHAM AUSTRALIA PTY LTD
 14 TENNYSON ROAD GLADESVILLE 2111 AUSTRALIA
 Phone: 61 2 9879 7888 Fax: 61 2 9879 7666
 Web: www.latham-australia.com



Scale: Approx. 33% Full Size
 All dimensions are to be verified before construction

Verified By..... Date.....

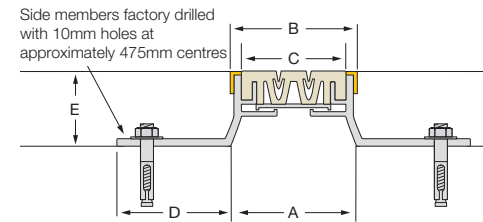
B50-FDRW



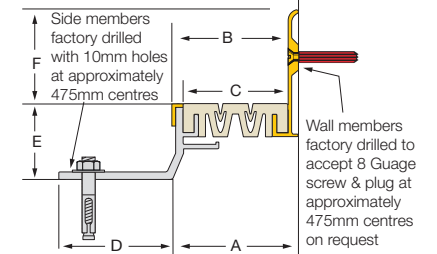
Aluminium Code	A	B	C	D	E	F	Movement	Total Available Movement	Overall Depth
B50-FDR	50	50	42	50	51		+/-5mm	10mm	51mm
B50-FDRW	50	46	42	50	51	38	+/-5mm	10mm	89mm

All dimensions are in millimetres.

B50-FDR (30)



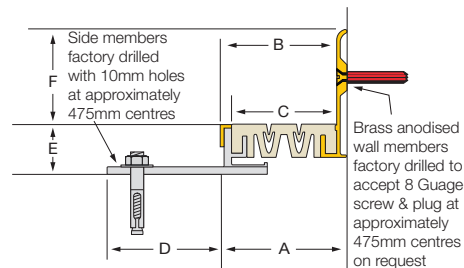
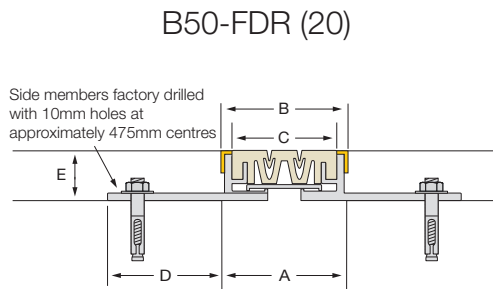
B50-FDRW (30)



Aluminium Code	A	B	C	D	E	F	Movement	Total Available Movement	Overall Depth
B50-FDR (30)	50	50	42	50	31		+/-5mm	10mm	30mm
B50-FDRW (30)	50	46	42	50	31	38	+/-5mm	10mm	69mm

All dimensions are in millimetres.

B50-FDRW (20)



Aluminium Code	A	B	C	D	E	F	Movement	Total Available Movement	Overall Depth
B50-FDR (20)	50	50	42	50	21		+/-5mm	10mm	20mm
B50-FDRW (20)	50	46	42	50	21	38	+/-5mm	10mm	59mm

All dimensions are in millimetres.

Interior applications only.

All mechanical expansion joint fixings by others.

Design subject to change without notice

COPYRIGHT © 2009

LATH3513