

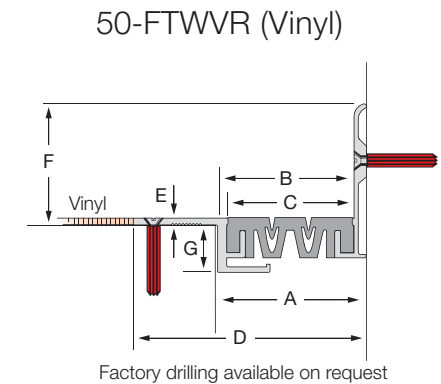
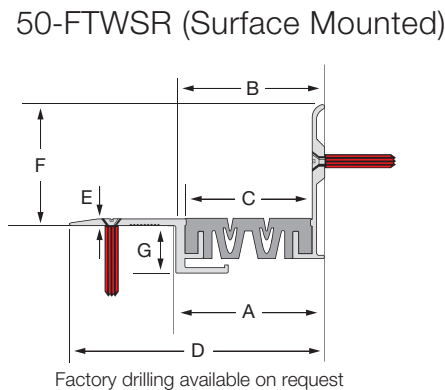
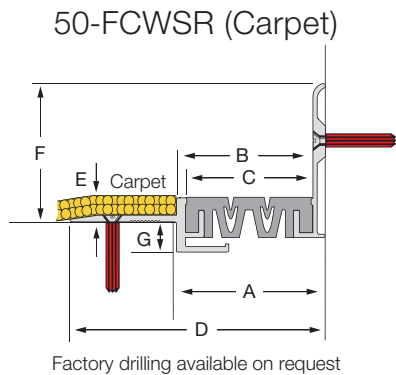
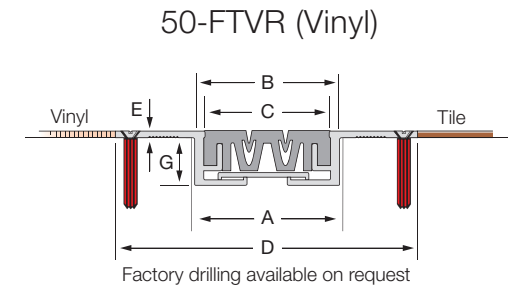
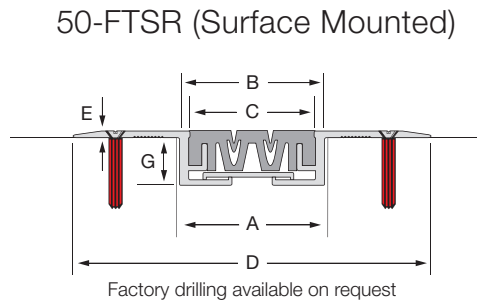
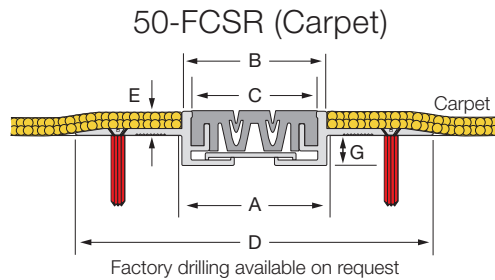
50 Series Resilient Surface Mounted Light Duty Flexible Expansion Joint Cover

LATHAM AUSTRALIA PTY LTD
 14 TENNYSON ROAD GLADESVILLE 2111 AUSTRALIA
 Phone: 61 2 9879 7888 Fax: 61 2 9879 7666
 Web: www.latham-australia.com



Scale: Approx. 40% Full Size
 All dimensions are to be verified before construction

Verified By..... Date.....



| Aluminium Code | A | B | C | D | E | F | G | Movement | Total Available Movement | Overall Depth |
|----------------|----|----|----|-----|---|----|----|----------|--------------------------|---------------|
| 50-FCSR | 50 | 48 | 42 | 115 | 8 | | 10 | +/-5mm | 10mm | 18mm |
| 50-FCWSR | 50 | 45 | 42 | 85 | 8 | 38 | 10 | +/-5mm | 10mm | 46mm |
| 50-FTSR | 50 | 48 | 42 | 115 | 3 | | 20 | +/-5mm | 10mm | 23mm |
| 50-FTWSR | 50 | 45 | 42 | 85 | 3 | 38 | 20 | +/-5mm | 10mm | 58mm |
| 50-FTVR | 50 | 48 | 42 | 115 | 3 | | 20 | +/-5mm | 10mm | 23mm |
| 50-FTWVR | 70 | 45 | 42 | 85 | 3 | 38 | 20 | +/-5mm | 10mm | 56mm |

All dimensions are in millimetres.

Interior applications only.
 All mechanical expansion joint fixings by others.
 Design subject to change without notice

COPYRIGHT © 2009

LATH3513