

# CPAL-100 Surface-Line Car Park Series

## Flexible Expansion Joint Cover

**LATHAM AUSTRALIA PTY LTD**

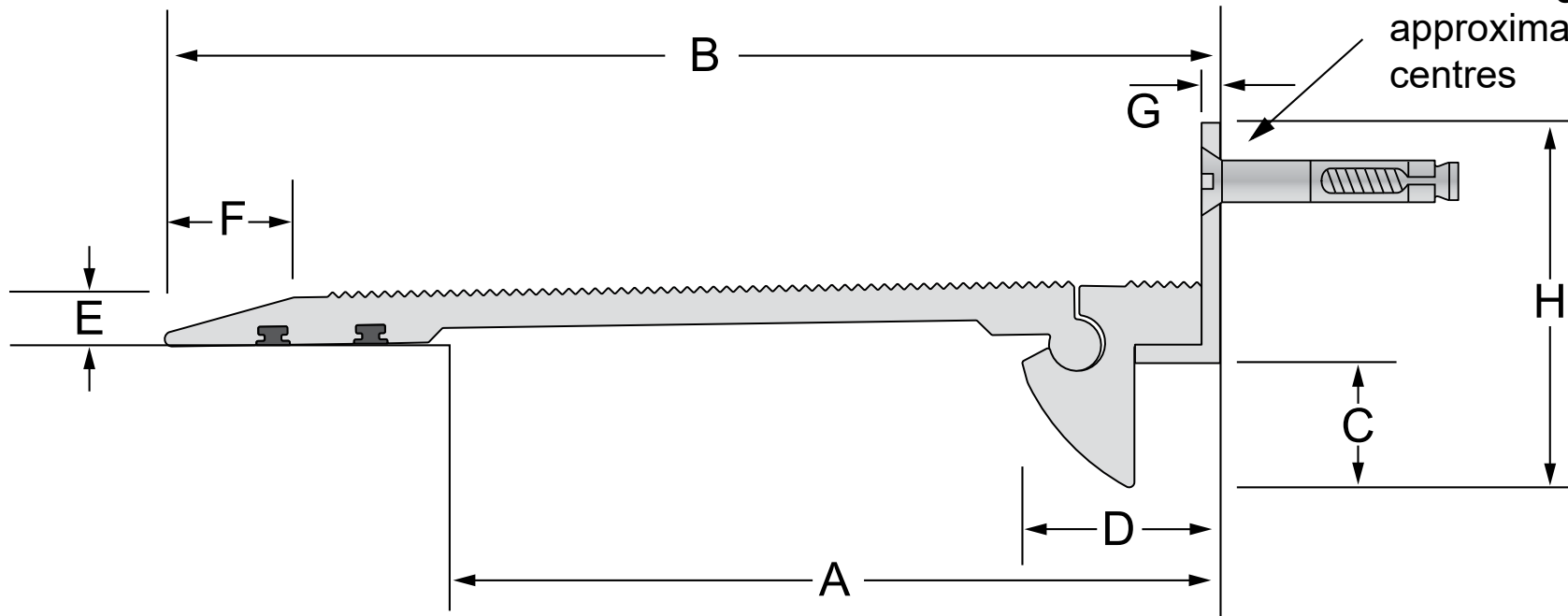
14 TENNYSON ROAD GLADESVILLE 2111 AUSTRALIA  
 Phone: 61 2 9879 7888 Fax: 61 2 9879 7666  
 Web: www.latham-australia.com



**Illustrated: CPAL-100 Not to Scale**  
 Suitable for joint widths ranging from 35mm-138mm  
 All dimensions are to be verified before construction

Verified By..... Date.....

Side member factory drilled to accept 6.6mm countersunk head fixings at approximately 500mm centres



Aluminium Code	A	B	C	D	E	F	G	H	Movement	Total Available Movement	Vertical Incline
CPAL-100 ribbed deck	35-138	200	24	35	10	25	3	54	35-143mm	108mm	+/-8°

All dimensions are in millimetres.

Exterior/Interior use.  
 All mechanical expansion joint fixings by others.  
 Aluminium expansion joint cover  
 Design subject to change without notice.

COPYRIGHT © 2021